



# Bearings Catalogue

---

**RUBIX**

Exclusively distributed  
by Rubix

[www.rubix.com](http://www.rubix.com)



# Contents

Introduction	3
--------------	---

Deep Groove Ball Bearings	5
---------------------------	---

General Information - Deep Groove Ball Bearings	5
---	---

 Deep Groove Ball Bearings	7
--	---

 Stainless Steel Deep Groove Ball Bearings	19
--	----

 Miniature Bearings - Deep Groove Ball Bearings	23
---	----

Mounting and Dismounting Bearings	26
-----------------------------------	----

Pillow Blocks	27
---------------	----


General Information - Pillow Blocks	27
-------------------------------------	----


## Cast Iron Pillow Blocks

 UCP 200	29
---	----

 UCF 200	30
---	----

 UCF 300	31
---	----

 UCFL 200	32
--	----

 UCT 200	33
---	----

 UCFC 200	34
--	----

 UCFA 200	35
--	----

 UCFA 200	35
--	----

 UCFA 200	35
--	----

 UCFA 200	35
--	----

 UCFA 200	35
--	----

 UCFA 200	35
--	----

 UCFA 200	35
--	----

 UCFA 200	35
--	----

## Pressed Steel Pillow Blocks

 SBPFL200	38
--	----

 SBPP 200	39
--	----

## Zinc Alloy Pillow Blocks

 UP 000	40
--	----

 UFL 000	41
---	----

## Stainless Steel Pillow Blocks

 SSUCP 200	42
---	----

 SSUCF 200	43
---	----

 SSUCFC 200	44
--	----

 SSUCFL 200	45
--	----

Mounting and Dismounting Pillow Blocks	46
--	----

Lubrication and Storage	47
-------------------------	----

# History of PTN

The PTN brand, born by the PETEAN family in Parma Italy, goes back to 1948. With its humble beginning, the PETEAN family grew the brand in industrial bearings and now, with the custodianship under Rubix Group, is synonymous in the European bearing market.

Today, the PTN brand of bearings are manufactured across the globe, serving industry, in all markets, for general purpose applications and continues to grow from strength to strength.

Over the years customers have enjoyed over 100 million bearings in the PTN brand without exception!



## Qualified Suppliers and Inspection

### Qualified Suppliers

PTN partners are selected on their quality control and process, and social compliance vetted by independent 3<sup>rd</sup> party and audited annually.

### Business Social Compliance Initiative (BSCI)

Suppliers have to comply with BSCI initiative for selection criteria.



Member of Amfori, the leading global business association for open and sustainable trade.

For more information visit [www.amfori.org](http://www.amfori.org)

### Inspection

QCL inspection regime adopted on all deliveries by 3<sup>rd</sup> party and also by our well established in-house bearing business that is used for verification to compliment inspection regime.

Quality control and process is our key priority!

# Rubix Distribution

The PTN brand benefits from the vast network of Rubix distribution centres, operating in 23 countries, from over 650 locations.

Rubix is the leading industrial supplies specialist.



**RUBIX**

[www.rubix.com](http://www.rubix.com)

# Deep Groove Ball Bearings

## Specifications:

- ISO 15:2011 boundary dimensions
- ISO 492:2002 - tolerances
- Precision class - P0 - normal tolerances
- Radial internal clearance - C0 (suitable for low or moderate loads, normal interference fit, normal temperatures)
- Other clearances (C3, C4...) on request

## Characteristics:

- Through hardened round rolling elements with point surface contact
- Non-separable races
- Low friction torque
- Low noise/vibration

## Features:

- Point surface contact provides high speed capabilities
- Popular - simple design, not expensive
- Versatile - wide range of applications
- High radial load carrying ability
- Tolerate some misalignment



# Deep Groove Ball Bearings

## Typical Applications:

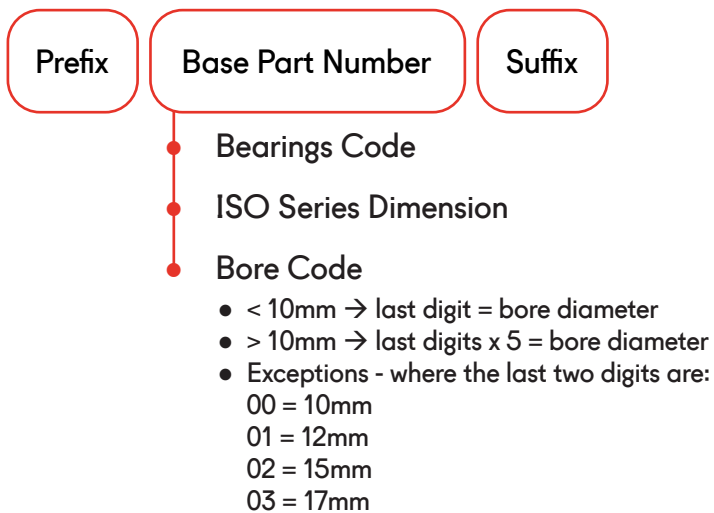
- Small to medium size/duty applications
- Conveyor rollers
- Light duty gearboxes
- Light duty wheel bearings
- General engineering applications



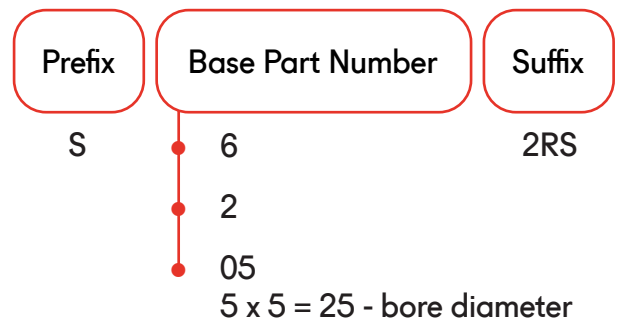
Bearing to specific requirements  
*available on request!*



## Part Numbering System:



Example: S 6205 2RS



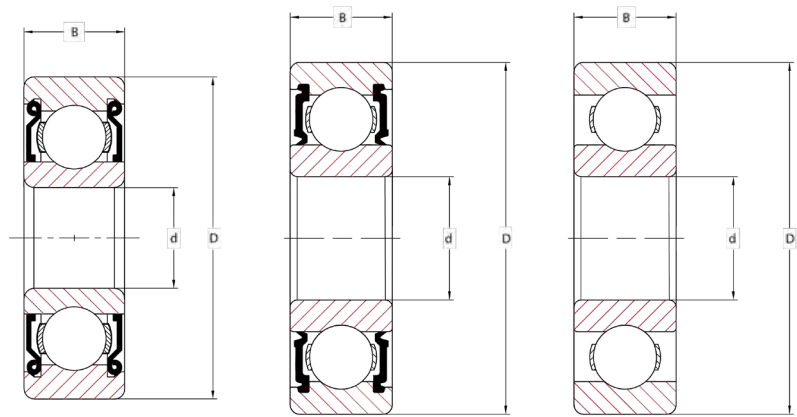
## Prefix:

- S = stainless steel bearings

## Suffixes - Sealing Types:

- 2RS - contact rubber seal both sides to prevent contaminations and encase lubrication
- ZZ - steel metal shields, both sides (labyrinth shape) to prevent ingress and encase lubrication

# Deep Groove Ball Bearings



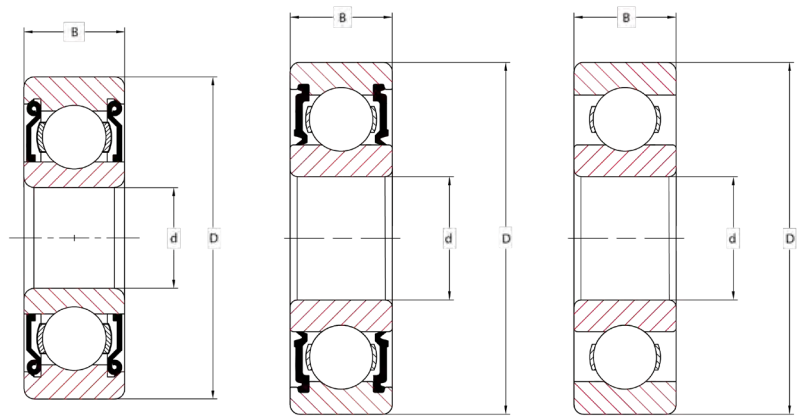
ZZ

2RS

OPEN

R.E Code (Rubix Engineering Code)	Generic Code	d [mm]	D [mm]	B [mm]	Load Rating		Speed Limit		Weight [kg]
					Static [N]	Dynamic [N]	Grease [rpm]	Oil [rpm]	
893775	61700.2RS-PTN	10	15	4	572	305	30000	36000	0.002
893876	61700.ZZ-PTN	10	15	4	572	305	30000	36000	0.002
893781	61800.2RS-PTN	10	19	5	1380	585	30000	36000	0.006
893882	61800.ZZ-PTN	10	19	5	1380	585	30000	36000	0.006
893797	61900.2RS-PTN	10	22	6	1950	750	28000	34000	0.010
893898	61900.ZZ-PTN	10	22	6	1950	750	28000	34000	0.010
893702	6000.2RS-PTN	10	26	8	4620	1960	29000	34000	0.020
893914	6000-PTN	10	26	8	4620	1960	29000	34000	0.020
893813	6000.ZZ-PTN	10	26	8	4620	1960	29000	34000	0.020
893723	6200.2RS-PTN	10	30	9	5070	2360	25000	30000	0.031
893935	6200-PTN	10	30	9	5070	2360	25000	30000	0.031
893834	6200.ZZ-PTN	10	30	9	5070	2360	25000	30000	0.031
893744	6300.2RS-PTN	10	35	11	8060	3400	23000	27000	0.054
893956	6300-PTN	10	35	11	8060	3400	23000	27000	0.054
893855	6300.ZZ-PTN	10	35	11	8060	3400	23000	27000	0.054
893776	61701.2RS-PTN	12	8	4	935	528	27000	33000	0.003
893877	61701.ZZ-PTN	12	8	4	935	528	27000	33000	0.003
893782	61801.2RS-PTN	12	21	5	1430	670	25000	30000	0.006
893883	61801.ZZ-PTN	12	21	5	1430	670	25000	30000	0.006
893798	61901.2RS-PTN	12	24	6	2250	980	25000	30000	0.011
893899	61901.ZZ-PTN	12	24	6	2250	980	25000	30000	0.011
893765	16001.2RS-PTN	12	28	7	5100	2390	24000	28000	0.022
893977	16001-PTN	12	28	7	5100	2390	24000	28000	0.022
893703	6001.2RS-PTN	12	28	8	5070	2360	26000	30000	0.021
893915	6001-PTN	12	28	8	5070	2360	26000	30000	0.021

# Deep Groove Ball Bearings



ZZ

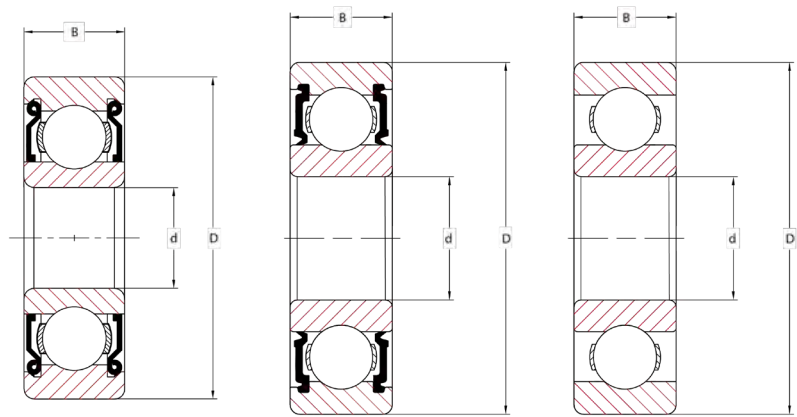
2RS

OPEN

R.E Code (Rubix Engineering Code)	Generic Code	d [mm]	D [mm]	B [mm]	Load Rating		Speed Limit		Weight [kg]
					Static [N]	Dynamic [N]	Grease [rpm]	Oil [rpm]	
893814	6001.ZZ-PTN	12	28	8	5070	2360	26000	30000	0.021
893724	6201.2RS-PTN	12	32	10	6100	2750	22000	26000	0.038
893936	6201-PTN	12	32	10	6100	2750	22000	26000	0.038
893835	6201.ZZ-PTN	12	32	10	6100	2750	22000	26000	0.038
893745	6301.2RS-PTN	12	37	12	9750	4150	20000	24000	0.063
893957	6301-PTN	12	37	12	9750	4150	20000	24000	0.063
893856	6301.ZZ-PTN	12	37	12	9750	4150	20000	24000	0.063
893777	61702.2RS-PTN	15	21	4	827	493	24000	29000	0.004
893878	61702.ZZ-PTN	15	21	4	827	493	24000	29000	0.004
893783	61802.2RS-PTN	15	24	5	1560	800	24000	29000	0.007
893884	61802.ZZ-PTN	15	24	5	1560	800	24000	29000	0.007
893799	61902.2RS-PTN	15	28	7	4030	2040	22000	26000	0.016
893900	61902.ZZ-PTN	15	28	7	4030	2040	22000	26000	0.016
893766	16002.2RS-PTN	15	32	8	5590	2850	20000	24000	0.025
893978	16002-PTN	15	32	8	5590	2850	20000	24000	0.025
893704	6002.2RS-PTN	15	32	9	5590	2850	22000	26000	0.032
893916	6002-PTN	15	32	9	5590	2850	22000	26000	0.032
893815	6002.ZZ-PTN	15	32	9	5590	2850	22000	26000	0.032
893725	6202.2RS-PTN	15	35	11	7800	3750	19000	23000	0.044
893937	6202-PTN	15	35	11	7800	3750	19000	23000	0.044
893836	6202.ZZ-PTN	15	35	11	7800	3750	19000	23000	0.044
893746	6302.2RS-PTN	15	42	13	11400	5400	17000	21000	0.087
893958	6302-PTN	15	42	13	11400	5400	17000	21000	0.087
893857	6302.ZZ-PTN	15	42	13	11400	5400	17000	21000	0.087
893778	61703.2RS-PTN	17	23	4	930	640	21000	26000	0.004



# Deep Groove Ball Bearings



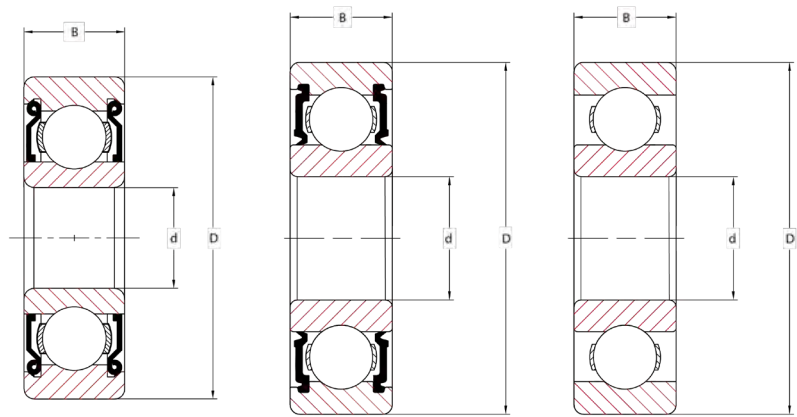
ZZ

2RS

OPEN

R.E Code (Rubix Engineering Code)	Generic Code	d [mm]	D [mm]	B [mm]	Load Rating		Speed Limit		Weight [kg]
					Static [N]	Dynamic [N]	Grease [rpm]	Oil [rpm]	
893879	61703.ZZ-PTN	17	23	4	930	640	21000	26000	0.004
893784	61803.2RS-PTN	17	26	5	1680	930	22000	26000	0.008
893885	61803.ZZ-PTN	17	26	5	1680	930	22000	26000	0.008
893800	61903.2RS-PTN	17	30	7	4360	2320	20000	24000	0.018
893901	61903.ZZ-PTN	17	30	7	4360	2320	20000	24000	0.018
893767	16003.2RS-PTN	17	35	8	6050	3250	18000	22000	0.032
893979	16003-PTN	17	35	8	6050	3250	18000	22000	0.032
893705	6003.2RS-PTN	17	35	10	6050	3250	20000	24000	0.039
893917	6003-PTN	17	35	10	6050	3250	20000	24000	0.039
893816	6003.ZZ-PTN	17	35	10	6050	3250	20000	24000	0.039
893726	6203.2RS-PTN	17	40	12	9560	4750	18000	21000	0.066
893938	6203-PTN	17	40	12	9560	4750	18000	21000	0.066
893837	6203.ZZ-PTN	17	40	12	9560	4750	18000	21000	0.066
893747	6303.2RS-PTN	17	47	14	13500	6550	16000	19000	0.117
893959	6303-PTN	17	47	14	13500	6550	16000	19000	0.117
893858	6303.ZZ-PTN	17	47	14	13500	6550	16000	19000	0.117
893779	61704.2RS-PTN	20	27	4	1000	722	18000	23000	0.005
893880	61704.ZZ-PTN	20	27	4	1000	722	18000	23000	0.005
893785	61804.2RS-PTN	20	32	7	2700	1500	19000	23000	0.018
893886	61804.ZZ-PTN	20	32	7	2700	1500	19000	23000	0.018
893801	61904.2RS-PTN	20	37	9	6370	3650	17000	21000	0.038
893902	61904.ZZ-PTN	20	37	9	6370	3650	17000	21000	0.038
893768	16004.2RS-PTN	20	42	8	6890	4500	16000	19000	0.050
893980	16004-PTN	20	42	8	6890	4500	16000	19000	0.050
893706	6004.2RS-PTN	20	42	12	9360	5000	18000	21000	0.070

# Deep Groove Ball Bearings



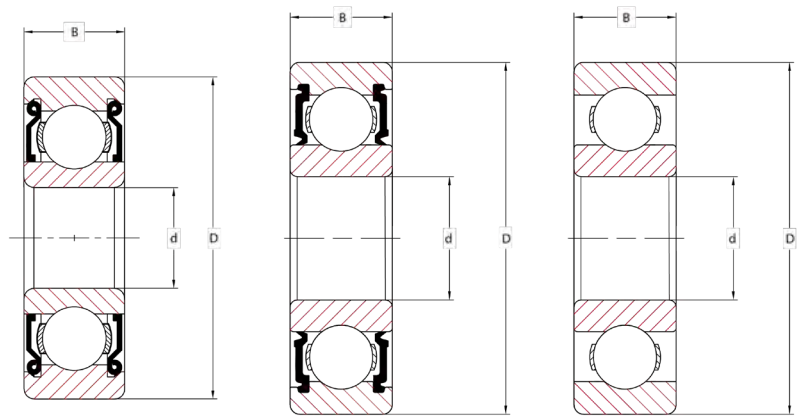
**ZZ**

**2RS**

**OPEN**

R.E Code (Rubix Engineering Code)	Generic Code	d [mm]	D [mm]	B [mm]	Load Rating		Speed Limit		Weight [kg]
					Static [N]	Dynamic [N]	Grease [rpm]	Oil [rpm]	
893918	6004-PTN	20	42	12	9360	5000	18000	21000	0.070
893817	6004.ZZ-PTN	20	42	12	9360	5000	18000	21000	0.070
893727	6204.2RS-PTN	20	47	14	12700	6550	16000	18000	0.109
893939	6204-PTN	20	47	14	12700	6550	16000	18000	0.109
893838	6204.ZZ-PTN	20	47	14	12700	6550	16000	18000	0.109
893748	6304.2RS-PTN	20	52	15	15900	7800	14000	17000	0.153
893960	6304-PTN	20	52	15	15900	7800	14000	17000	0.153
893859	6304.ZZ-PTN	20	52	15	15900	7800	14000	17000	0.153
893780	61705.2RS-PTN	25	32	4	1040	930	11000	23000	0.006
893881	61705.ZZ-PTN	25	32	4	1040	930	11000	23000	0.006
893786	61805.2RS-PTN	25	37	7	4360	2600	16000	19000	0.022
893887	61805.ZZ-PTN	25	37	7	4360	2600	16000	19000	0.022
893802	61905.2RS-PTN	25	42	9	6630	4000	14000	17000	0.045
893903	61905.ZZ-PTN	25	42	9	6630	4000	14000	17000	0.045
893769	16005.2RS-PTN	25	47	8	7610	4750	13000	16000	0.060
893981	16005-PTN	25	47	8	7610	4750	13000	16000	0.060
893707	6005.2RS-PTN	25	47	12	10100	5850	15000	18000	0.082
893919	6005-PTN	25	47	12	10100	5850	15000	18000	0.082
893818	6005.ZZ-PTN	25	47	12	10100	5850	15000	18000	0.082
893728	6205.2RS-PTN	25	52	15	14000	7800	13000	15000	0.133
893940	6205-PTN	25	52	15	14000	7800	13000	15000	0.133
893839	6205.ZZ-PTN	25	52	15	14000	7800	13000	15000	0.133
893749	6305.2RS-PTN	25	62	17	21200	10900	12000	14000	0.238
893961	6305-PTN	25	62	17	21200	10900	12000	14000	0.238
893860	6305.ZZ-PTN	25	62	17	21200	10900	12000	14000	0.238

# Deep Groove Ball Bearings



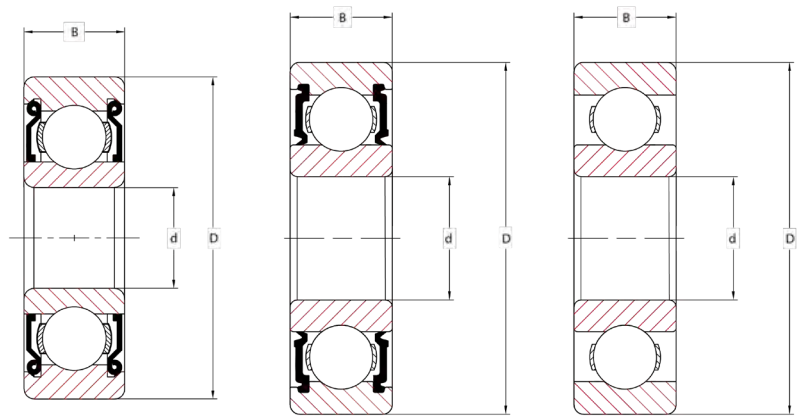
ZZ

2RS

OPEN

R.E Code (Rubix Engineering Code)	Generic Code	d [mm]	D [mm]	B [mm]	Load Rating		Speed Limit		Weight [kg]
					Static [N]	Dynamic [N]	Grease [rpm]	Oil [rpm]	
893787	61806.2RS-PTN	30	42	7	4490	2900	13000	16000	0.027
893888	61806.ZZ-PTN	30	42	7	4490	2900	13000	16000	0.027
893803	61906.2RS-PTN	30	47	9	7280	4550	12000	15000	0.051
893904	61906.ZZ-PTN	30	47	9	7280	4550	12000	15000	0.051
893770	16006.2RS-PTN	30	55	9	11200	7350	11000	13000	0.085
893982	16006-PTN	30	55	9	11200	7350	11000	13000	0.085
893708	6006.2RS-PTN	30	55	13	13300	8300	13000	15000	0.124
893920	6006-PTN	30	55	13	13300	8300	13000	15000	0.124
893819	6006.ZZ-PTN	30	55	13	13300	8300	13000	15000	0.124
893729	6206.2RS-PTN	30	62	16	19500	11200	11000	13000	0.200
893941	6206-PTN	30	62	16	19500	11200	11000	13000	0.200
893840	6206.ZZ-PTN	30	62	16	19500	11200	11000	13000	0.200
893750	6306.2RS-PTN	30	72	19	26700	15000	10000	12000	0.360
893962	6306-PTN	30	72	19	26700	15000	10000	12000	0.360
893861	6306.ZZ-PTN	30	72	19	26700	15000	10000	12000	0.360
893788	61807.2RS-PTN	35	47	7	4750	3200	11000	14000	0.030
893889	61807.ZZ-PTN	35	47	7	4750	3200	11000	14000	0.030
893804	61907.2RS-PTN	35	55	10	9560	6200	10000	13000	0.080
893905	61907.ZZ-PTN	35	55	10	9560	6200	10000	13000	0.080
893771	16007.2RS-PTN	35	62	9	11700	8200	12000	14000	0.110
893983	16007-PTN	35	62	9	11700	8200	12000	14000	0.110
893709	6007.2RS-PTN	35	62	14	15900	10200	12000	14000	0.161
893921	6007-PTN	35	62	14	15900	10200	12000	14000	0.161
893820	6007.ZZ-PTN	35	62	14	15900	10200	12000	14000	0.161
893730	6207.2RS-PTN	35	72	17	25500	15300	9800	11000	0.299

# Deep Groove Ball Bearings



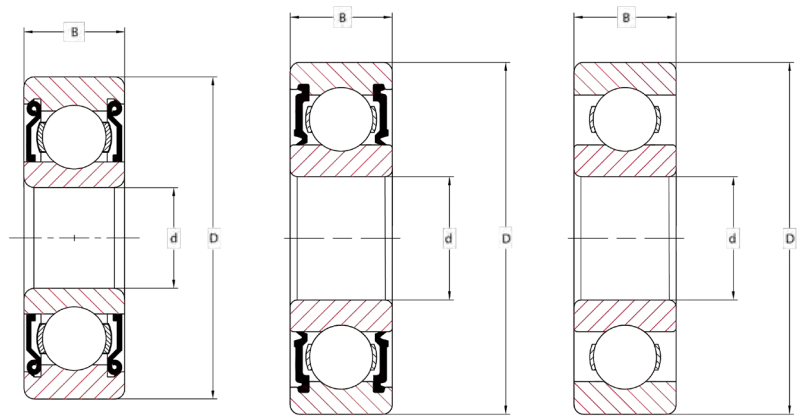
ZZ

2RS

OPEN

R.E Code (Rubix Engineering Code)	Generic Code	d [mm]	D [mm]	B [mm]	Load Rating		Speed Limit		Weight [kg]
					Static [N]	Dynamic [N]	Grease [rpm]	Oil [rpm]	
893942	6207-PTN	35	72	17	25500	15300	9800	11000	0.299
893841	6207.ZZ-PTN	35	72	17	25500	15300	9800	11000	0.299
893751	6307.2RS-PTN	35	80	21	33200	19000	8800	10000	0.467
893963	6307-PTN	35	80	21	33200	19000	8800	10000	0.467
893862	6307.ZZ-PTN	35	80	21	33200	19000	8800	10000	0.467
893789	61808.2RS-PTN	40	52	7	4940	3450	10000	12000	0.034
893890	61808.ZZ-PTN	40	52	7	4940	3450	10000	12000	0.034
893805	61908.2RS-PTN	40	62	12	13800	9300	9000	11000	0.110
893906	61908.ZZ-PTN	40	62	12	13800	9300	9000	11000	0.110
893772	16008.2RS-PTN	40	68	9	12600	9150	10000	12000	0.130
893984	16008-PTN	40	68	9	12600	9150	10000	12000	0.130
893710	6008.2RS-PTN	40	68	15	16800	11600	10000	12000	0.197
893922	6008-PTN	40	68	15	16800	11600	10000	12000	0.197
893821	6008.ZZ-PTN	40	68	15	16800	11600	10000	12000	0.197
893731	6208.2RS-PTN	40	80	18	29100	17800	8700	10000	0.379
893943	6208-PTN	40	80	18	29100	17800	8700	10000	0.379
893842	6208.ZZ-PTN	40	80	18	29100	17800	8700	10000	0.379
893752	6308.2RS-PTN	40	90	23	41000	24000	7800	9200	0.640
893964	6308-PTN	40	90	23	41000	24000	7800	9200	0.640
893863	6308.ZZ-PTN	40	90	23	41000	24000	7800	9200	0.640
893790	61809.2RS-PTN	45	58	7	4590	4320	9000	10000	0.040
893891	61809.ZZ-PTN	45	58	7	4590	4320	9000	10000	0.040
893806	61909.2RS-PTN	45	68	12	10100	6700	8000	9000	0.140
893907	61909.ZZ-PTN	45	68	12	10100	6700	8000	9000	0.140
893773	16009.2RS-PTN	45	75	10	12900	10500	9200	11000	0.170

# Deep Groove Ball Bearings

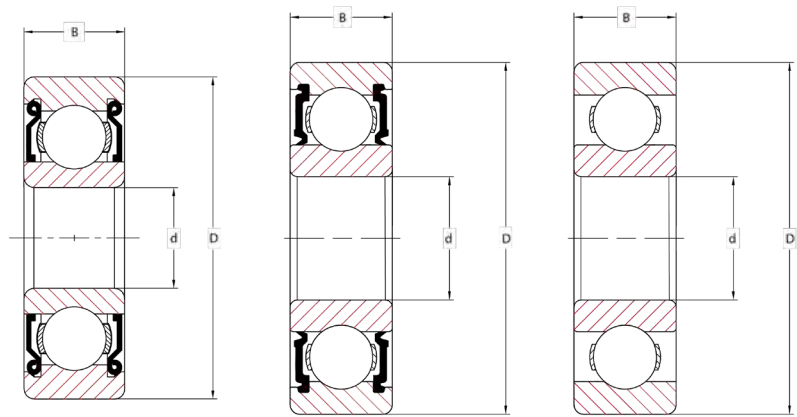


ZZ

2RS

OPEN

R.E Code (Rubix Engineering Code)	Generic Code	d [mm]	D [mm]	B [mm]	Load Rating		Speed Limit		Weight [kg]
					Static [N]	Dynamic [N]	Grease [rpm]	Oil [rpm]	
893985	16009-PTN	45	75	10	12900	10500	9200	11000	0.170
893711	6009.2RS-PTN	45	75	16	20800	14600	9200	11000	0.254
893923	6009-PTN	45	75	16	20800	14600	9200	11000	0.254
893822	6009.ZZ-PTN	45	75	16	20800	14600	9200	11000	0.254
893732	6209.2RS-PTN	45	85	19	32500	20400	7800	9200	0.430
893944	6209-PTN	45	85	19	32500	20400	7800	9200	0.430
893843	6209.ZZ-PTN	45	85	19	32500	20400	7800	9200	0.430
893753	6309.2RS-PTN	45	100	25	52700	31500	7000	8200	0.843
893965	6309-PTN	45	100	25	52700	31500	7000	8200	0.843
893864	6309.ZZ-PTN	45	100	25	52700	31500	7000	8200	0.843
893791	61810.2RS-PTN	50	65	7	6240	4750	7600	9000	0.052
893892	61810.ZZ-PTN	50	65	7	6240	4750	7600	9000	0.052
893807	61910.2RS-PTN	50	72	12	11830	9880	6900	8500	0.140
893908	61910.ZZ-PTN	50	72	12	11830	9880	6900	8500	0.140
893774	16010.2RS-PTN	50	80	10	13200	11300	8400	9800	0.180
893986	16010-PTN	50	80	10	13200	11300	8400	9800	0.180
893712	6010.2RS-PTN	50	80	16	21600	16000	8400	9800	0.279
893924	6010-PTN	50	80	16	21600	16000	8400	9800	0.279
893823	6010.ZZ-PTN	50	80	16	21600	16000	8400	9800	0.279
893733	6210.2RS-PTN	50	90	20	35100	23200	7100	8300	0.475
893945	6210-PTN	50	90	20	35100	23200	7100	8300	0.475
893844	6210.ZZ-PTN	50	90	20	35100	23200	7100	8300	0.475
893754	6310.2RS-PTN	50	110	27	61800	38000	6400	7500	1.097
893966	6310-PTN	50	110	27	61800	38000	6400	7500	1.097
893865	6310.ZZ-PTN	50	110	27	61800	38000	6400	7500	1.097



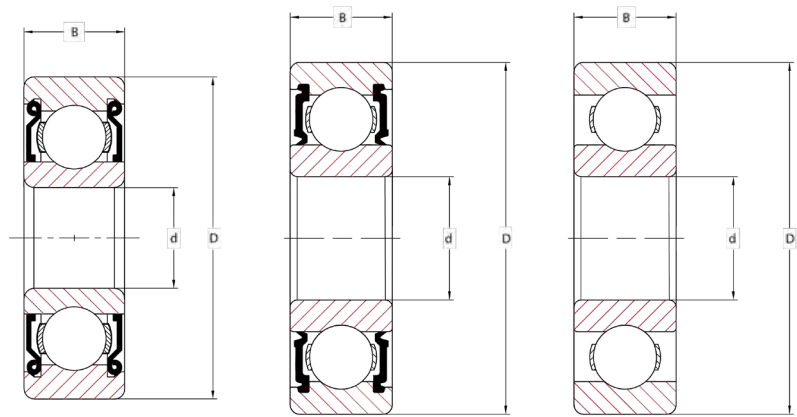
ZZ

2RS

OPEN

R.E Code (Rubix Engineering Code)	Generic Code	d [mm]	D [mm]	B [mm]	Load Rating		Speed Limit		Weight [kg]
					Static [N]	Dynamic [N]	Grease [rpm]	Oil [rpm]	
893792	61811.2RS-PTN	55	72	9	8320	6200	8000	9500	0.083
893893	61811.ZZ-PTN	55	72	9	8320	6200	8000	9500	0.083
893808	61911.2RS-PTN	55	80	13	15900	11400	7500	9000	0.190
893909	61911.ZZ-PTN	55	80	13	15900	11400	7500	9000	0.190
893713	6011.2RS-PTN	55	90	18	28100	21200	7700	9000	0.405
893925	6011-PTN	55	90	18	28100	21200	7700	9000	0.405
893824	6011.ZZ-PTN	55	90	18	28100	21200	7700	9000	0.405
893734	6211.2RS-PTN	55	100	21	43600	29000	6400	7600	0.625
893946	6211-PTN	55	100	21	43600	29000	6400	7600	0.625
893845	6211.ZZ-PTN	55	100	21	43600	29000	6400	7600	0.625
893755	6311.2RS-PTN	55	120	29	71500	45000	5800	6800	1.377
893967	6311-PTN	55	120	29	71500	45000	5800	6800	1.377
893866	6311.ZZ-PTN	55	120	29	71500	45000	5800	6800	1.377
893793	61812.2RS-PTN	60	78	10	8710	6700	7000	8500	0.110
893894	61812.ZZ-PTN	60	78	10	8710	6700	7000	8500	0.110
893809	61912.2RS-PTN	60	85	13	16500	12000	6700	8000	0.200
893910	61912.ZZ-PTN	60	85	13	16500	12000	6700	8000	0.200
893714	6012.2RS-PTN	60	95	18	29600	23200	7000	8300	0.428
893926	6012-PTN	60	95	18	29600	23200	7000	8300	0.428
893825	6012.ZZ-PTN	60	95	18	29600	23200	7000	8300	0.428
893735	6212.2RS-PTN	60	110	22	47500	32500	6000	7000	0.797
893947	6212-PTN	60	110	22	47500	32500	6000	7000	0.797
893846	6212.ZZ-PTN	60	110	22	47500	32500	6000	7000	0.797
893756	6312.2RS-PTN	60	130	31	81900	52000	5400	6300	1.733
893968	6312-PTN	60	130	31	81900	52000	5400	6300	1.733

# Deep Groove Ball Bearings



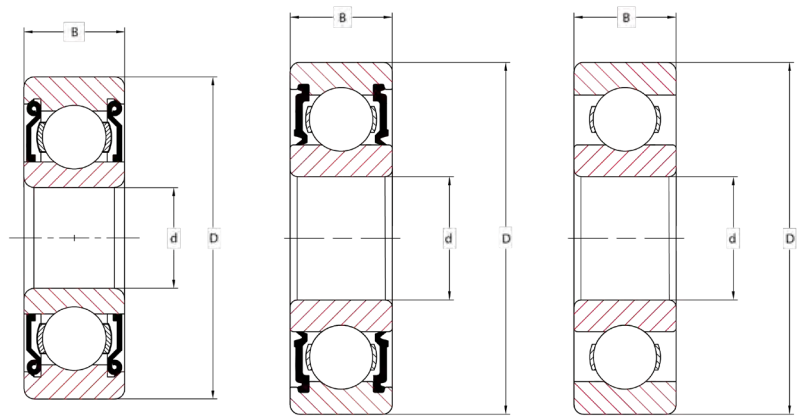
**ZZ**

**2RS**

**OPEN**

R.E Code (Rubix Engineering Code)	Generic Code	d [mm]	D [mm]	B [mm]	Load Rating		Speed Limit		Weight [kg]
					Static [N]	Dynamic [N]	Grease [rpm]	Oil [rpm]	
893867	6312.ZZ-PTN	60	130	31	81900	52000	5400	6300	1.733
893794	61813.2RS-PTN	65	85	10	12000	11500	6700	8000	0.130
893895	61813.ZZ-PTN	65	85	10	12000	11500	6700	8000	0.130
893810	61913.2RS-PTN	65	90	13	17400	13400	6300	7500	0.220
893911	61913.ZZ-PTN	65	90	13	17400	13400	6300	7500	0.220
893715	6013.2RS-PTN	65	100	18	30700	25000	6500	7700	0.458
893927	6013-PTN	65	100	18	30700	25000	6500	7700	0.458
893826	6013.ZZ-PTN	65	100	18	30700	25000	6500	7700	0.458
893736	6213.2RS-PTN	65	120	23	55900	40500	5500	6500	1.017
893948	6213-PTN	65	120	23	55900	40500	5500	6500	1.017
893847	6213.ZZ-PTN	65	120	23	55900	40500	5500	6500	1.017
893757	6313.2RS-PTN	65	140	33	92300	60000	4900	5800	2.153
893969	6313-PTN	65	140	33	92300	60000	4900	5800	2.153
893868	6313.ZZ-PTN	65	140	33	92300	60000	4900	5800	2.153
893795	61814.2RS-PTN	70	90	10	12100	11900	6300	7500	0.140
893896	61814.ZZ-PTN	70	90	10	12100	11900	6300	7500	0.140
893811	61914.2RS-PTN	70	100	16	23800	18300	6000	7000	0.350
893912	61914.ZZ-PTN	70	100	16	23800	18300	6000	7000	0.350
893716	6014.2RS-PTN	70	110	20	37700	31000	6100	7100	0.635
893928	6014-PTN	70	110	20	37700	31000	6100	7100	0.635
893827	6014.ZZ-PTN	70	110	20	37700	31000	6100	7100	0.635
893737	6214.2RS-PTN	70	125	24	60500	45000	5100	6000	1.110
893949	6214-PTN	70	125	24	60500	45000	5100	6000	1.110
893848	6214.ZZ-PTN	70	125	24	60500	45000	5100	6000	1.110
893758	6314.2RS-PTN	70	150	35	104000	68000	4600	5400	2.560

# Deep Groove Ball Bearings



ZZ

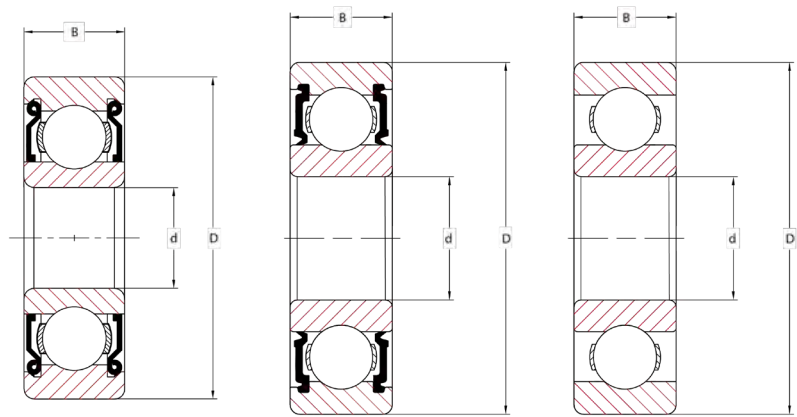
2RS

OPEN

R.E Code (Rubix Engineering Code)	Generic Code	d [mm]	D [mm]	B [mm]	Load Rating		Speed Limit		Weight [kg]
					Static [N]	Dynamic [N]	Grease [rpm]	Oil [rpm]	
893970	6314-PTN	70	150	35	104000	68000	4600	5400	2.560
893869	6314.ZZ-PTN	70	150	35	104000	68000	4600	5400	2.560
893796	61815.2RS-PTN	75	95	10	12500	10800	6000	7000	0.150
893897	61815.ZZ-PTN	75	95	10	12500	10800	6000	7000	0.150
893812	61915.2RS-PTN	75	105	16	24200	19300	5600	6700	0.370
893913	61915.ZZ-PTN	75	105	16	24200	19300	5600	6700	0.370
893717	6015.2RS-PTN	75	115	20	39700	33500	5700	6700	0.673
893929	6015-PTN	75	115	20	39700	33500	5700	6700	0.673
893828	6015.ZZ-PTN	75	115	20	39700	33500	5700	6700	0.673
893738	6215.2RS-PTN	75	130	25	66300	49000	4800	5600	1.210
893950	6215-PTN	75	130	25	66300	49000	4800	5600	1.210
893849	6215.ZZ-PTN	75	130	25	66300	49000	4800	5600	1.210
893759	6315.2RS-PTN	75	160	37	111400	76500	4300	5000	3.120
893971	6315-PTN	75	160	37	111400	76500	4300	5000	3.120
893870	6315.ZZ-PTN	75	160	37	111400	76500	4300	5000	3.120
893718	6016.2RS-PTN	80	125	22	47500	40000	5300	6200	0.877
893930	6016-PTN	80	125	22	47500	40000	5300	6200	0.877
893829	6016.ZZ-PTN	80	125	22	47500	40000	5300	6200	0.877
893739	6216.2RS-PTN	80	140	26	70200	55000	4500	6300	1.460
893951	6216-PTN	80	140	26	70200	55000	4500	6300	1.460
893850	6216.ZZ-PTN	80	140	26	70200	55000	4500	6300	1.460
893760	6316.2RS-PTN	80	170	39	123000	86500	4000	4700	3.680
893972	6316-PTN	80	170	39	123000	86500	4000	4700	3.680
893871	6316.ZZ-PTN	80	170	39	123000	86500	4000	4700	3.680
893719	6017.2RS-PTN	85	130	22	49400	43000	5000	5900	0.932



# Deep Groove Ball Bearings



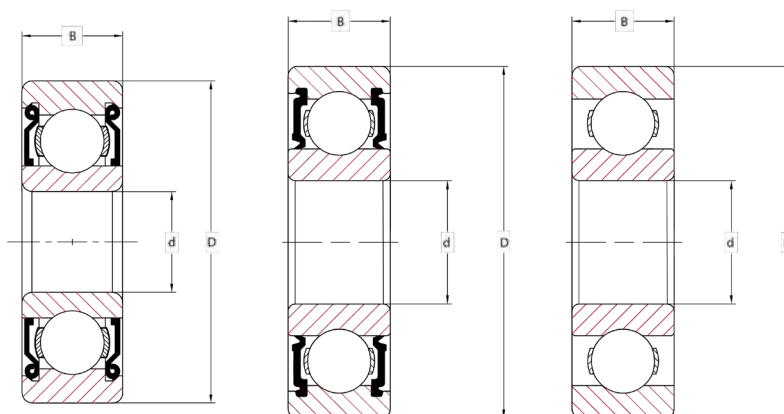
ZZ

2RS

OPEN

R.E Code (Rubix Engineering Code)	Generic Code	d [mm]	D [mm]	B [mm]	Load Rating		Speed Limit		Weight [kg]
					Static [N]	Dynamic [N]	Grease [rpm]	Oil [rpm]	
893931	6017-PTN	85	130	22	49400	43000	5000	5900	0.932
893830	6017.ZZ-PTN	85	130	22	49400	43000	5000	5900	0.932
893740	6217.2RS-PTN	85	150	28	83200	64000	4200	5000	1.847
893952	6217-PTN	85	150	28	83200	64000	4200	5000	1.847
893851	6217.ZZ-PTN	85	150	28	83200	64000	4200	5000	1.847
893761	6317.2RS-PTN	85	180	41	133000	96500	3800	4500	4.303
893973	6317-PTN	85	180	41	133000	96500	3800	4500	4.303
893872	6317.ZZ-PTN	85	180	41	133000	96500	3800	4500	4.303
893720	6018.2RS-PTN	90	140	24	58500	50000	4700	5600	1.190
893932	6018-PTN	90	140	24	58500	50000	4700	5600	1.190
893831	6018.ZZ-PTN	90	140	24	58500	50000	4700	5600	1.190
893741	6218.2RS-PTN	90	160	30	95600	73500	4000	4700	2.223
893953	6218-PTN	90	160	30	95600	73500	4000	4700	2.223
893852	6218.ZZ-PTN	90	160	30	95600	73500	4000	4700	2.223
893762	6318.2RS-PTN	90	190	43	143000	108000	3600	4200	4.967
893974	6318-PTN	90	190	43	143000	108000	3600	4200	4.967
893873	6318.ZZ-PTN	90	190	43	143000	108000	3600	4200	4.967
893721	6019.2RS-PTN	95	145	24	60500	54000	4500	5300	1.247
893933	6019-PTN	95	145	24	60500	54000	4500	5300	1.247
893832	6019.ZZ-PTN	95	145	24	60500	54000	4500	5300	1.247
893742	6219.2RS-PTN	95	170	32	108000	81500	3700	4400	2.713
893954	6219-PTN	95	170	32	108000	81500	3700	4400	2.713
893853	6219.ZZ-PTN	95	170	32	108000	81500	3700	4400	2.713
893763	6319.2RS-PTN	95	200	45	153000	118000	3300	3900	5.710
893975	6319-PTN	95	200	45	153000	118000	3300	3900	5.710

# Deep Groove Ball Bearings



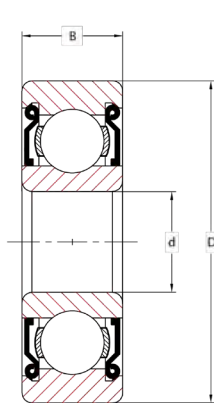
ZZ

2RS

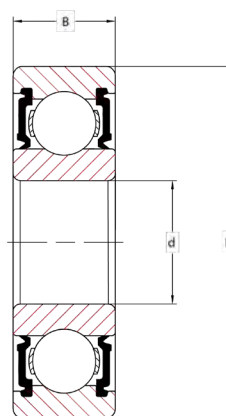
OPEN

R.E Code (Rubix Engineering Code)	Generic Code	d [mm]	D [mm]	B [mm]	Load Rating		Speed Limit		Weight [kg]
					Static [N]	Dynamic [N]	Grease [rpm]	Oil [rpm]	
893874	6319.ZZ-PTN	95	200	45	153000	118000	3300	3900	5.710
893722	6020.2RS-PTN	100	150	24	60500	54000	4200	5000	1.340
893934	6020-PTN	100	150	24	60500	54000	4200	5000	1.340
893833	6020.ZZ-PTN	100	150	24	60500	54000	4200	5000	1.340
893743	6220.2RS-PTN	100	180	34	122000	93000	3500	4200	3.321
893955	6220-PTN	100	180	34	122000	93000	3500	4200	3.321
893854	6220.ZZ-PTN	100	180	34	122000	93000	3500	4200	3.321
893764	6320.2RS-PTN	100	215	47	174000	140000	3200	3700	7.633
893976	6320-PTN	100	215	47	174000	140000	3200	3700	7.633
893875	6320.ZZ-PTN	100	215	47	174000	140000	3200	3700	7.633

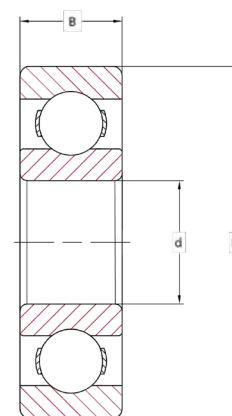
# Stainless Steel Deep Groove Ball Bearings



ZZ



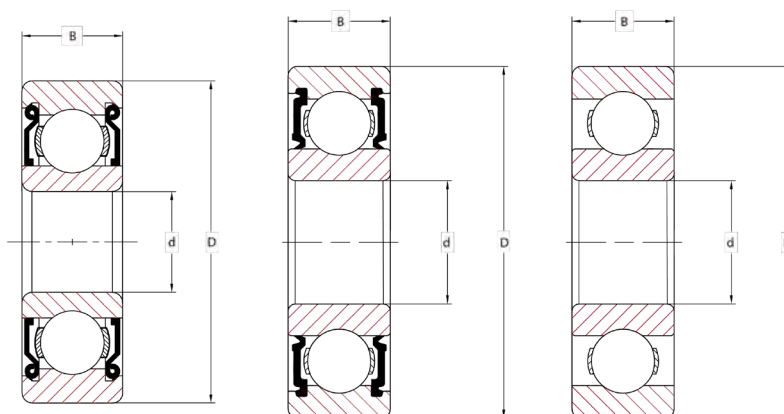
2RS



OPEN

R.E Code (Rubix Engineering Code)	Generic Code	d [mm]	D [mm]	B [mm]	Load Rating		Grease Speed Limit [rpm]	Weight [kg]
					Static [N]	Dynamic [N]		
894093	S61800.2RS-PTN	10	19	5	1390	660	15620	0.005
894112	S61900.2RS-PTN	10	22	6	2180	990	14200	0.009
894055	S6000.2RS-PTN	10	26	8	3840	1620	13400	0.018
894071	S6200.2RS-PTN	10	30	9	4130	1970	14200	0.030
894082	S6300.2RS-PTN	10	35	11	6190	2880	10650	0.050
894094	S61801.2RS-PTN	12	21	5	1400	740	14200	0.006
894113	S61901.2RS-PTN	12	24	6	2340	1160	13490	0.010
894056	S6001.2RS-PTN	12	28	8	4370	1950	12070	0.022
894072	S6201.2RS-PTN	12	32	10	5520	2530	13490	0.040
894083	S6301.2RS-PTN	12	37	12	7870	4210	9940	0.060
894095	S61802.2RS-PTN	15	24	5	1530	910	12070	0.007
894114	S61902.2RS-PTN	15	28	7	3480	1820	11360	0.015
894057	S6002.2RS-PTN	15	32	9	4730	2360	9940	0.031
894073	S6202.2RS-PTN	15	35	11	6310	3110	12780	0.045
894084	S6302.2RS-PTN	15	42	13	9230	4480	8520	0.082
894096	S61803.2RS-PTN	17	26	5	1520	920	11040	0.007
894115	S61903.2RS-PTN	17	30	7	3490	1920	9660	0.017
894058	S6003.2RS-PTN	17	35	10	4560	2500	8970	0.041
894074	S6203.2RS-PTN	17	40	12	7260	3650	11040	0.065
894085	S6303.2RS-PTN	17	47	14	10260	5040	7590	0.115
894097	S61804.2RS-PTN	20	32	7	3040	1770	8970	0.017
894116	S61904.2RS-PTN	20	37	9	4780	2770	8280	0.037
894059	S6004.2RS-PTN	20	42	12	7120	3870	7590	0.068
894075	S6204.2RS-PTN	20	47	14	9650	5040	9660	0.103
894086	S6304.2RS-PTN	20	52	15	12080	6000	6550	0.141

# Stainless Steel Deep Groove Ball Bearings



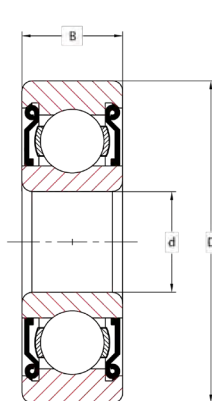
**ZZ**

**2RS**

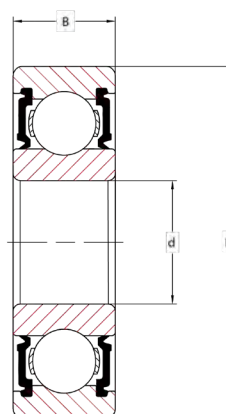
**OPEN**

R.E Code (Rubix Engineering Code)	Generic Code	d [mm]	D [mm]	B [mm]	Load Rating		Grease Speed Limit [rpm]	Weight [kg]
					Static [N]	Dynamic [N]		
894098	S61805.2RS-PTN	25	37	7	3260	2000	7590	0.021
894117	S61905.2RS-PTN	25	42	9	5030	3080	6900	0.042
894060	S6005.2RS-PTN	25	47	12	7670	4480	6550	0.079
894076	S6205.2RS-PTN	25	52	15	10640	6000	8280	0.127
894087	S6305.2RS-PTN	25	62	17	17100	8930	5170	0.219
894099	S61806.2RS-PTN	30	42	7	3410	2230	6550	0.024
894118	S61906.2RS-PTN	30	47	9	5530	3500	5860	0.052
894061	S6006.2RS-PTN	30	55	13	9370	5890	5520	0.116
894077	S6206.2RS-PTN	30	62	16	13840	7950	6550	0.203
894088	S6306.2RS-PTN	30	72	19	19950	11360	4340	0.350
894100	S61807.2RS-PTN	35	47	7	3310	2570	5860	0.027
894119	S61907.2RS-PTN	35	55	10	7260	4770	5170	0.075
894062	S6007.2RS-PTN	35	62	14	11500	7380	4830	0.151
894078	S6207.2RS-PTN	35	72	17	18100	10860	5860	0.287
894089	S6307.2RS-PTN	35	80	21	23570	13490	4140	0.454
894101	S61808.2RS-PTN	40	52	7	3410	2880	5170	0.031
894120	S61908.2RS-PTN	40	62	12	10480	7160	4620	0.112
894063	S6008.2RS-PTN	40	68	15	12070	8300	4340	0.190
894079	S6208.2RS-PTN	40	80	18	21790	13490	5520	0.367
894090	S6308.2RS-PTN	40	90	23	22290	15900	3450	0.639
894102	S61809.2RS-PTN	45	58	7	3530	3320	4620	0.038
894121	S61909.2RS-PTN	45	68	12	10640	7540	4140	0.126
894064	S6009.2RS-PTN	45	75	16	14910	10500	3860	0.241
894080	S6209.2RS-PTN	45	85	19	23570	15330	4830	0.416
894091	S6309.2RS-PTN	45	100	25	37410	22360	3100	0.836

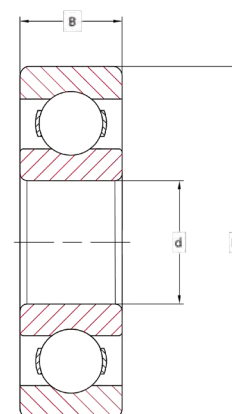
# Stainless Steel Deep Groove Ball Bearings



ZZ



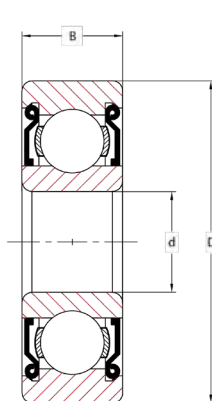
2RS



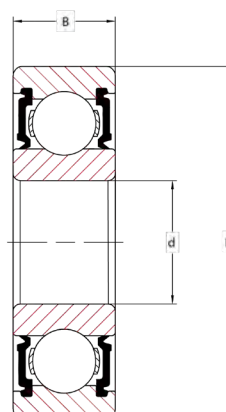
OPEN

R.E Code (Rubix Engineering Code)	Generic Code	d [mm]	D [mm]	B [mm]	Load Rating		Grease Speed Limit [rpm]	Weight [kg]
					Static [N]	Dynamic [N]		
894103	S61810.2RS-PTN	50	65	7	5010	4690	4140	0.050
894122	S61910.2RS-PTN	50	72	12	11090	8000	3860	0.135
894065	S6010.2RS-PTN	50	80	16	15620	11570	3450	0.261
894081	S6210.2RS-PTN	50	90	20	24920	16470	4620	0.462
894092	S6310.2RS-PTN	50	110	27	43870	26980	2960	1.050
894104	S61811.2RS-PTN	55	72	9	6910	6460	3650	0.083
894066	S6011.2RS-PTN	55	90	18	20900	15620	3030	0.362
894105	S61812.2RS-PTN	60	78	10	9040	8850	3310	0.110
894067	S6012.2RS-PTN	60	95	18	21870	17180	2760	0.385
894106	S61813.2RS-PTN	65	85	10	9190	9160	3100	0.130
894068	S6013.2RS-PTN	65	100	18	22080	17600	2550	0.430
894107	S61814.2RS-PTN	70	90	10	9420	10160	2960	0.140
894069	S6014.2RS-PTN	70	110	20	26630	21580	2410	0.569
894108	S61815.2RS-PTN	75	95	10	9650	11010	2760	0.150
894070	S6015.2RS-PTN	75	115	20	27730	23570	2200	0.603
894109	S61816.2RS-PTN	80	100	10	9880	11550	2480	0.155
894110	S61817.2RS-PTN	85	110	13	14010	15240	2340	0.245
894111	S61818.2RS-PTN	90	115	13	14230	15780	2200	0.258

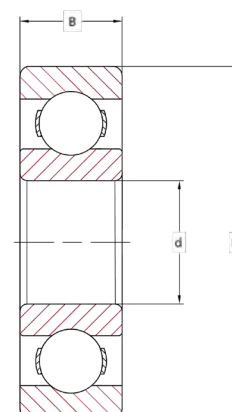
# Miniature Stainless Steel Deep Groove Ball Bearings



ZZ



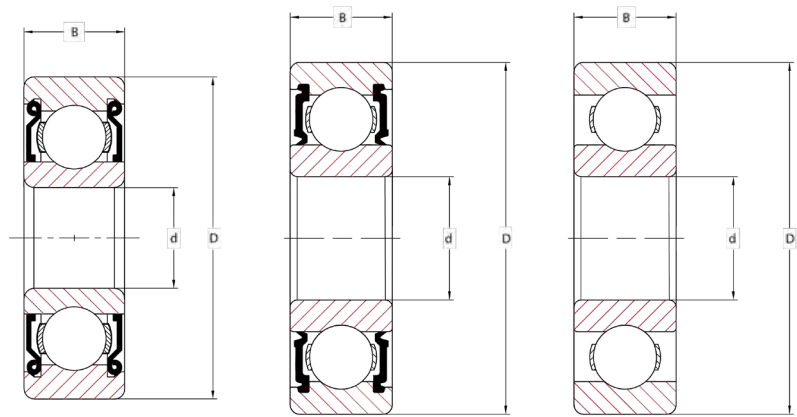
2RS



OPEN

R.E Code (Rubix Engineering Code)	Generic Code	d [mm]	D [mm]	B [mm]	Load Rating		Grease Speed Limit [rpm]	Weight [g]
					Static [N]	Dynamic [N]		
894130	S623.2RS-PTN	3	10	4	520	180	34650	1.600
894124	S604.2RS-PTN	4	12	4	790	300	33110	2.300
894131	S624.2RS-PTN	4	13	5	1070	410	27720	3.200
894125	S605.2RS-PTN	5	14	5	1100	430	27720	3.700
894132	S625.2RS-PTN	5	16	5	1430	580	24640	5.100
894136	S635.2RS-PTN	5	19	6	1930	770	21560	8.800
894126	S606.2RS-PTN	6	17	6	1870	720	26180	6.900
894133	S626.2RS-PTN	6	19	6	1930	770	21560	8.600
894127	S607.2RS-PTN	7	19	6	1930	770	23360	8.200
894134	S627.2RS-PTN	7	22	7	2720	1180	19710	13.100
894137	S688.2RS-PTN	8	16	4	1030	500	23360	4.000
894128	S608.2RS-PTN	8	22	7	2730	1180	21900	12.900
894135	S628.2RS-PTN	8	24	8	2760	1220	18250	18.500
894129	S609.2RS-PTN	9	24	7	2780	1240	20440	16.000

# Miniature Deep Groove Ball Bearings



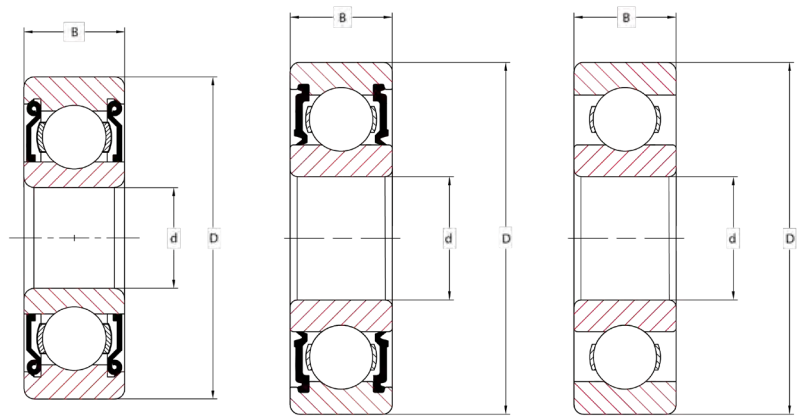
**ZZ**

**2RS**

**OPEN**

R.E Code (Rubix Engineering Code)	Generic Code	d [mm]	D [mm]	B [mm]	Load Rating		Speed Limit		Weight [g]
					Static [N]	Dynamic [N]	Grease [rpm]	Oil [rpm]	
894038	682.2RS-PTN	2	5	1.5	16.9	5	85	100	0.120
894008	682.ZZ-PTN	2	5	1.5	16.9	5	85	100	0.120
894046	692.2RS-PTN	2	6	2.3	38.6	12.9	63	75	0.280
894016	692.ZZ-PTN	2	6	2.3	38.6	12.9	63	75	0.280
894039	683.2RS-PTN	3	7	2	31.1	11.2	63	75	0.320
894009	683.ZZ-PTN	3	7	2	31.1	11.2	63	75	0.320
894047	693.2RS-PTN	3	8	3	55.8	18	60	67	0.610
894017	693.ZZ-PTN	3	8	3	55.8	18	60	67	0.610
894024	603.2RS-PTN	3	9	3	57.1	18.9	56	67	0.870
893988	603.ZZ-PTN	3	9	3	57.1	18.9	56	67	0.870
894031	623.2RS-PTN	3	10	4	63.1	21.9	50	60	1.650
893995	623.ZZ-PTN	3	10	4	63.1	21.9	50	60	1.650
894002	633.ZZ-PTN	3	13	5	130.1	48.8	40	48	3.380
894040	684.2RS-PTN	4	9	2.5	64.1	22.7	53	63	0.630
894010	684.ZZ-PTN	4	9	2.5	64.1	22.7	53	63	0.630
894048	694.2RS-PTN	4	11	4	95.7	35	48	56	1.700
894018	694.ZZ-PTN	4	11	4	95.7	35	48	56	1.700
894025	604.2RS-PTN	4	12	4	95.7	35	48	56	2.250
893989	604.ZZ-PTN	4	12	4	95.7	35	48	56	2.250
894032	624.2RS-PTN	4	13	5	130.1	48.8	40	48	3.030
893996	624.ZZ-PTN	4	13	5	130.1	48.8	40	48	3.030
894003	634.ZZ-PTN	4	16	5	134	52.3	36	43	5.240
894041	685.2RS-PTN	5	11	3	71.6	28.2	45	53	1.200
894011	685.ZZ-PTN	5	11	3	71.6	28.2	45	53	1.200
894049	695.2RS-PTN	5	13	4	107.7	43.2	43	50	2.450

# Miniature Deep Groove Ball Bearings



**ZZ**

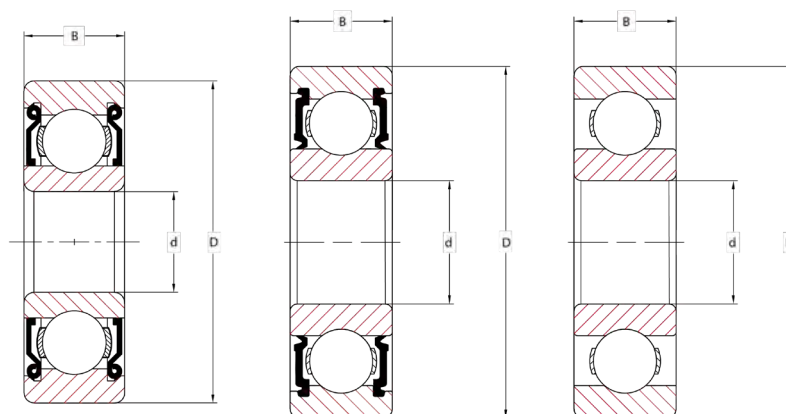
**2RS**

**OPEN**

R.E Code (Rubix Engineering Code)	Generic Code	d [mm]	D [mm]	B [mm]	Load Rating		Speed Limit		Weight [g]
					Static [N]	Dynamic [N]	Grease [rpm]	Oil [rpm]	
894019	695.ZZ-PTN	5	13	4	107.7	43.2	43	50	2.450
894026	605.2RS-PTN	5	14	5	132.9	50.7	40	50	3.540
893990	605.ZZ-PTN	5	14	5	132.9	50.7	40	50	3.540
894033	625.2RS-PTN	5	16	5	172.9	67.5	36	43	4.950
893997	625.ZZ-PTN	5	16	5	172.9	67.5	36	43	4.950
894004	635.ZZ-PTN	5	19	6	233.6	89.6	32	40	8.560
894042	686.2RS-PTN	6	13	3.5	108.2	44.2	40	50	1.910
894012	686.ZZ-PTN	6	13	3.5	108.2	44.2	40	50	1.910
894050	696.2RS-PTN	6	15	5	134	52.3	40	45	3.880
894020	696.ZZ-PTN	6	15	5	134	52.3	40	45	3.880
894027	606.2RS-PTN	6	17	6	226.3	84.6	38	45	5.970
893991	606.ZZ-PTN	6	17	6	226.3	84.6	38	45	5.970
894034	626.2RS-PTN	6	19	6	233.6	89.6	32	40	8.150
893998	626.ZZ-PTN	6	19	6	233.6	89.6	32	40	8.150
894005	636.ZZ-PTN	6	22	7	333.3	142.3	30	36	14.000
894043	687.2RS-PTN	7	14	3.5	117.3	51.3	40	50	2.100
894013	687.ZZ-PTN	7	14	3.5	117.3	51.3	40	50	2.100
894051	697.2RS-PTN	7	17	5	160.5	71.9	36	43	5.260
894021	697.ZZ-PTN	7	17	5	160.5	71.9	36	43	5.260
894028	607.2RS-PTN	7	19	6	233.6	89.6	36	43	7.670
893992	607.ZZ-PTN	7	19	6	233.6	89.6	36	43	7.670
894035	627.2RS-PTN	7	22	7	328.7	137.9	30	36	12.700
893999	627.ZZ-PTN	7	22	7	328.7	137.9	30	36	12.700
894006	637.ZZ-PTN	7	26	9	456.3	198.3	28	34	24.000
894044	688.2RS-PTN	8	16	4	125.2	59.2	36	43	3.250



# Miniature Deep Groove Ball Bearings



**ZZ**

**2RS**

**OPEN**

R.E Code (Rubix Engineering Code)	Generic Code	d [mm]	D [mm]	B [mm]	Load Rating		Speed Limit		Weight [g]
					Static [N]	Dynamic [N]	Grease [rpm]	Oil [rpm]	
894014	688.ZZ-PTN	8	16	4	125.2	59.2	36	43	3.250
894052	698.2RS-PTN	8	19	6	223.7	91.7	36	43	7.230
894022	698.ZZ-PTN	8	19	6	223.7	91.7	36	43	7.230
894029	608.2RS-PTN	8	22	7	329.3	137.9	34	40	12.100
893993	608.ZZ-PTN	8	22	7	329.3	137.9	34	40	12.100
894036	628.2RS-PTN	8	24	8	333.3	142.3	28	34	17.200
894000	628.ZZ-PTN	8	24	8	333.3	142.3	28	34	17.200
894007	638.ZZ-PTN	8	28	9	456.3	198.3	28	34	28.300
894045	689.2RS-PTN	9	17	4	132.7	66.8	36	43	3.530
894015	689.ZZ-PTN	9	17	4	132.7	66.8	36	43	3.530
894053	699.2RS-PTN	9	20	6	246.7	108.1	34	40	8.450
894023	699.ZZ-PTN	9	20	6	246.7	108.1	34	40	8.450
894030	609.2RS-PTN	9	24	7	335.6	144.4	32	38	14.500
893994	609.ZZ-PTN	9	24	7	335.6	144.4	32	38	14.500
894037	629.2RS-PTN	9	26	8	457.5	198.3	28	34	19.500
894001	629.ZZ-PTN	9	26	8	457.5	198.3	28	34	19.500

## Mounting and Dismounting of Bearings:

### Mounting

Before mounting, be sure you have all the correct tools, equipment and lubrication to hand. Leave the bearing in its original packaging until ready for mounting, so not to expose them to any dirt or contamination. Prior consideration should be given to the orientation of the bearing to minimise handling and possible refit.

Open bearings should have appropriate levels of lubrication applied.

### Dismounting

Once again, ensure correct tools and equipment are on hand prior to dismounting. Mechanical or hydraulic bearing pullers can be used depending on size and application of assembly. Care must be given not to damage inner, outer or ball bearing assembly.

### Lubrication

Bearings must be properly lubricated to operate reliably. Periodic maintenance regime needs to be adopted to ensure that there is always sufficient grease.

Rubix offer a universal multi-purpose grease from their Spartex range for all DGBB, and pillow blocks.

Please note:

The PTN range of stainless steel bearings contains a FOOD SAFE GREASE - MOBIL GREASE FM 222 or equivalent. NSF registered as H1 classified lubricants (safety data sheet on request).



# Pillow Blocks

## Specifications:

- Housing:
  - i. Dimensions and tolerances: ISO 3228
  - ii. Radial internal clearance: ISO 9628
- Bearing inserts:
  - i. Dimensions and tolerances: ISO 3228
  - ii. Radial internal clearance: ISO 9628
- Precision class – P0 – normal tolerances
- Housing colour – blue - RAL 5001
- Rubber seal attached on outer ring
- Steel flange protector fixed by inner ring on the front of rubber seal
- Surfaces: super finished
- Set screw fixing

## Characteristics:

Housing inserts consist of ball bearings and can be available in different materials.

The insert bearing is a single row deep groove ball bearing with a convex-sphered outside diameter. The external grease nipple is used for lubricating the ball bearing.

## Features:

- High cost efficiency
- High versatility
- The inserted ball bearing can accommodate moderate initial misalignment, but normally can not permit axial displacement
- Ready for mounting units
- Lubricated and sealed bearings



# Pillow Blocks

## Typical Applications:

- Agriculture
- Construction machinery
- Food and beverages
- Conveyors
- Packaging
- Power transmission
- Material handling
- General engineering applications



Bearing to specific requirements  
*available on request!*

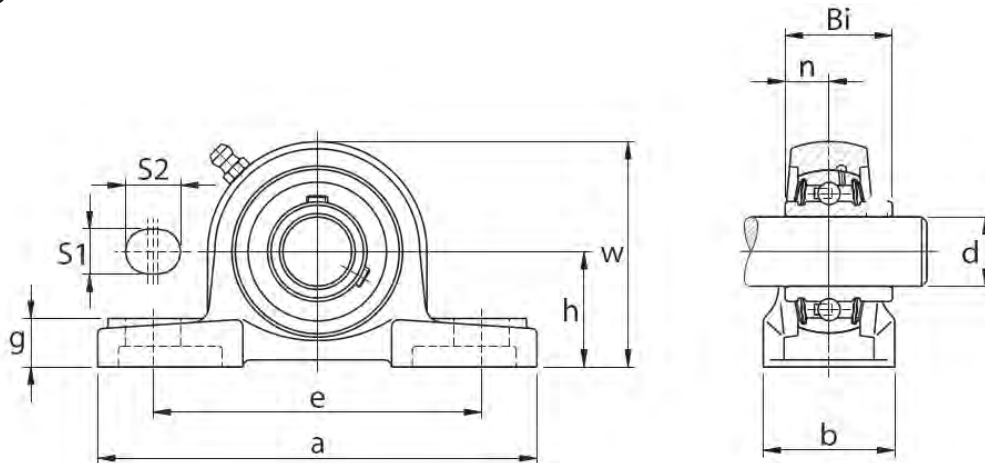


## Part Numbering System:

There are various mounting designs (pillow blocks, flanged house units, take up units etc.) and several options for the material specifications housings and bearing insets.

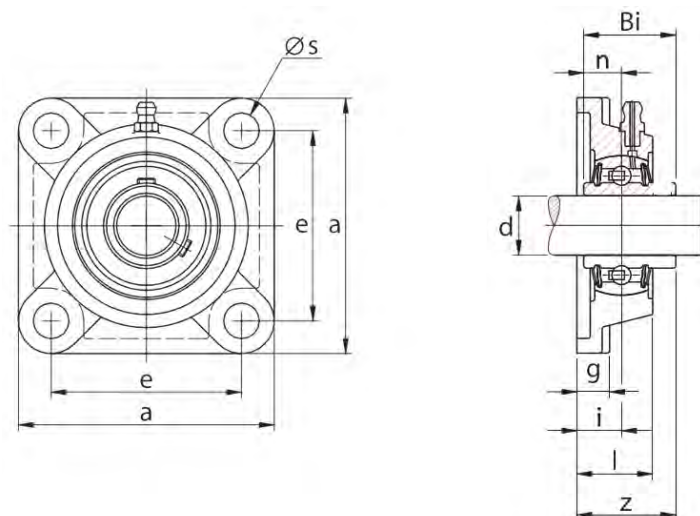
Pillow Blocks	Material Specification	
	Housing	Bearing Insert
UFL	Zinc Alloy	Zinc Alloy
UP000	Zinc Alloy	Zinc Alloy
SBPFL	Pressed Steel	Chrome Steel
SBPP	Pressed Steel	Chrome Steel
SSUCF	Stainless Steel	Stainless Steel
SSUCFC	Stainless Steel	Stainless Steel
SSUCFL	Stainless Steel	Stainless Steel
SSUCP	Stainless Steel	Stainless Steel
UCF	Cast Iron	Chrome Steel
UCFA	Cast Iron	Chrome Steel
UCFB	Cast Iron	Chrome Steel
UCFC	Cast Iron	Chrome Steel
UCFL	Cast Iron	Chrome Steel
UCP	Cast Iron	Chrome Steel
UCPA	Cast Iron	Chrome Steel
UCT	Cast Iron	Chrome Steel

## UCP 200



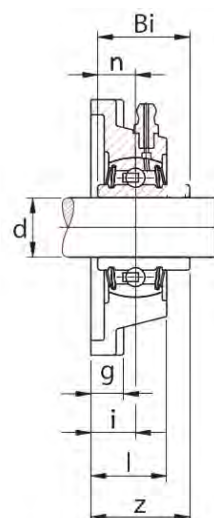
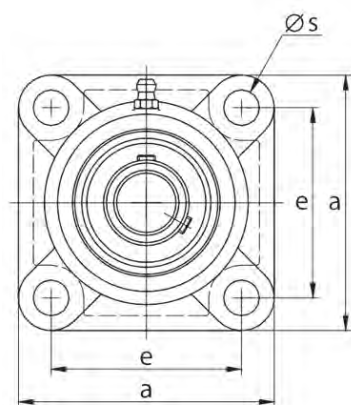
R.E Code (Rubix Engineering Code)	Generic Code	Shaft Diameter [mm]	Dimensions [mm]										Bearing No.	Bolt Size	Housing No.	Weight [kg]
			d	h	a	e	b	S1	S2	g	w	Bi				
893648	UCP201-PTN	12	30.2	127	95	38	13	19	14	62	31	12.7	UC201	M10	P203	0.63
893649	UCP202-PTN	15	30.2	127	95	38	13	19	14	62	31	12.7	UC202	M10	P203	0.63
893650	UCP203-PTN	17	30.2	127	95	38	13	19	14	62	31	12.7	UC203	M10	P203	0.63
893651	UCP204-PTN	20	33.3	127	95	38	13	19	14	64	31	12.7	UC204	M10	P204	0.70
893652	UCP205-PTN	25	36.5	140	105	38	13	19	15	71	34.1	14.3	UC205	M10	P205	0.81
893653	UCP206-PTN	30	42.9	163	121	46	17	21	17	82	38.1	15.9	UC206	M14	P206	1.30
893654	UCP207-PTN	35	47.6	167	127	47	17	21	18	92	42.9	17.5	UC207	M14	P207	1.60
893655	UCP208-PTN	40	49.2	184	137	54	17	21	18	98	49.2	19	UC208	M14	P208	2.00
893656	UCP209-PTN	45	54	190	146	54	17	21	21	105	49.2	19	UC209	M14	P209	2.30
893657	UCP210-PTN	50	57.2	206	159	60	20	23	21	113	51.6	19	UC210	M16	P210	2.90
893658	UCP211-PTN	55	63.5	217	171	60	20	24	23	124	55.6	22.2	UC211	M16	P211	3.70
893659	UCP212-PTN	60	69.8	239	184	69	20	24	25	136	65.1	25.4	UC212	M16	P212	4.90
893660	UCP213-PTN	65	76.2	263	203	69	25	28	27	148	65.1	25.4	UC213	M20	P213	5.90
893661	UCP214-PTN	70	79.4	266	210	70	25	28	27	155	74.6	30.2	UC214	M20	P214	6.60
893662	UCP215-PTN	75	82.6	273	217	73	25	28	28	162	77.8	33.3	UC215	M20	P215	7.30
893663	UCP216-PTN	80	88.9	290	232	76	25	28	30	174	82.6	33.3	UC216	M20	P216	10.00
893664	UCP217-PTN	85	95.2	312	247	83	25	28	32	187	85.7	34.1	UC217	M20	P217	12.20
893665	UCP218-PTN	90	101.6	326	262	87	27	32	33	198	96	39.7	UC218	M22	P218	14.70
893666	UCP220-PTN	100	115	380	308	95	30	38	36	225	108	42	UC220	M24	P220	15.80

## UCF 200



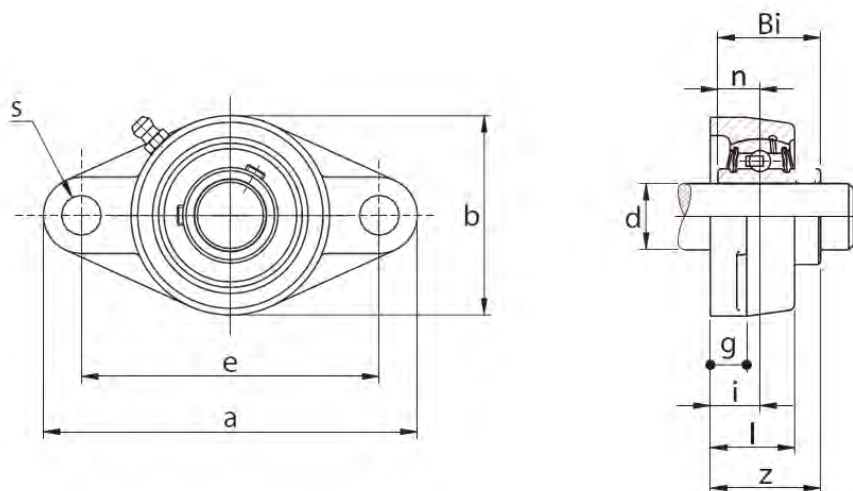
R.E Code (Rubix Engineering Code)	Generic Code	Shaft Diameter [mm]	Dimensions [mm]									Bearing No.	Bolt Size	Housing No.	Weight [kg]
			d	a	e	i	g	l	s	z	Bi				
893544	UCF201-PTN	12	86	64	15	11	25.5	12	33.3	31	12.7	UC201	M10	F204	0.62
893545	UCF202-PTN	15	86	64	15	11	25.5	12	33.3	31	12.7	UC202	M10	F204	0.62
893546	UCF203-PTN	17	86	64	15	11	25.5	12	33.3	31	12.7	UC203	M10	F204	0.61
893547	UCF204-PTN	20	86	64	15	11	25.5	12	33.3	31	12.7	UC204	M10	F204	0.61
893548	UCF205-PTN	25	95	70	16	13	27	12	35.7	34.1	14.3	UC205	M10	F205	0.80
893549	UCF206-PTN	30	108	83	18	13	31	12	40.2	38.1	15.9	UC206	M10	F206	1.00
893550	UCF207-PTN	35	117	92	19	15	34	14	44.4	42.9	17.5	UC207	M12	F207	1.40
893551	UCF208-PTN	40	130	102	21	15	36	16	51.2	49.2	19	UC208	M14	F208	1.80
893552	UCF209-PTN	45	137	105	22	16	38	16	52.2	49.2	19	UC209	M14	F209	2.20
893553	UCF210-PTN	50	143	111	22	16	40	16	54.6	51.6	19	UC210	M14	F210	2.40
893554	UCF211-PTN	55	162	130	25	18	43	19	58.4	55.6	22.2	UC211	M16	F211	3.50
893555	UCF212-PTN	60	175	143	29	18	48	19	68.7	65.1	25.4	UC212	M16	F212	4.20
893556	UCF213-PTN	65	187	149	30	22	50	19	69.7	65.1	25.4	UC213	M16	F213	5.30
893557	UCF214-PTN	70	193	152	31	22	54	19	75.4	74.6	30.2	UC214	M16	F214	5.90
893558	UCF215-PTN	75	200	159	34	22	56	19	78.5	77.8	33.3	UC215	M16	F215	6.30
893559	UCF216-PTN	80	208	165	34	22	58	23	83.3	82.6	33.3	UC216	M20	F216	7.80
893560	UCF217-PTN	85	220	175	36	24	63	23	87.6	85.7	34.1	UC217	M20	F217	9.30
893561	UCF218-PTN	90	235	187	40	24	68	23	96.3	96	39.7	UC218	M20	F218	11.30

## UCF 300



R.E Code (Rubix Engineering Code)	Generic Code	Shaft Diameter [mm]	Dimensions [mm]									Bearing No.	Bolt Size	Housing No.	Weight [kg]
			d	a	e	i	g	l	s	z	Bi				
893562	UCF305-PTN	25	110	80	16	13	29	16	39	38	15	UC305	M14	F305	1.10
893563	UCF306-PTN	30	125	95	18	15	32	16	44	43	17	UC306	M14	F306	1.53
893564	UCF307-PTN	35	135	100	20	16	36	19	49	48	19	UC307	M16	F307	1.86
893565	UCF308-PTN	40	150	112	23	17	40	19	56	52	19	UC308	M16	F308	2.65
893566	UCF309-PTN	45	160	125	25	18	44	19	60	57	22	UC309	M16	F309	3.21
893567	UCF310-PTN	50	175	132	28	19	48	23	67	61	22	UC310	M20	F310	4.32
893568	UCF311-PTN	55	185	140	30	20	52	23	71	66	25	UC311	M20	F311	5.24
893569	UCF312-PTN	60	195	150	33	22	56	23	78	71	26	UC312	M20	F312	6.40
893570	UCF314-PTN	70	226	178	36	25	61	25	81	78	33	UC314	M22	F314	10.10
893571	UCF316-PTN	80	250	196	38	24	68	31	90	86	34	UC316	M27	F316	12.80
893572	UCF318-PTN	90	280	216	44	30	76	35	100	96	40	UC318	M30	F318	18.90
893573	UCF320-PTN	100	310	242	59	32	94	38	125	108	42	UC320	M33	F320	25.80
893574	UCF322-PTN	110	340	266	60	35	96	41	131	117	46	UC322	M36	F322	38.00
893575	UCF324-PTN	120	370	290	65	40	110	41	140	126	51	UC324	M36	F324	50.00

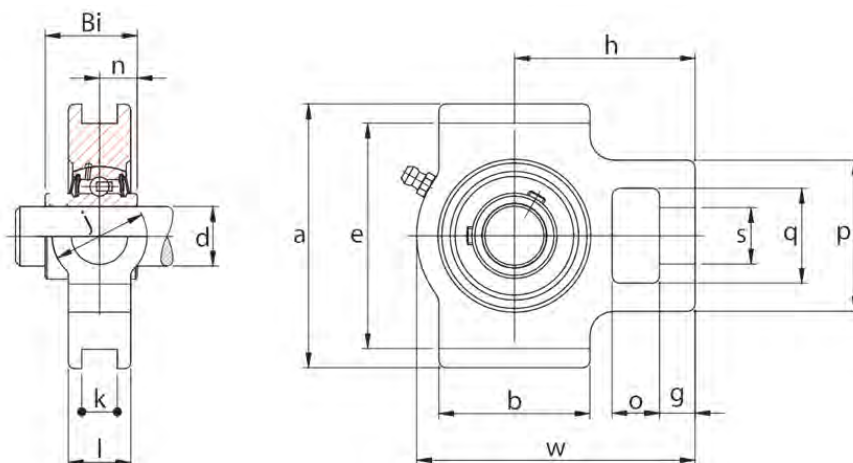
## UCFL 200



R.E Code (Rubix Engineering Code)	Generic Code	Shaft Diameter [mm]	Dimensions [mm]										Bearing No.	Bolt Size	Housing No.	Weight [kg]
			d	a	e	i	g	l	s	b	z	Bi				
893608	UCFL201-PTN	12	113	90	15	11	25.5	12	60	33.3	31	12.7	UC201	M10	FL204	0.48
893609	UCFL202-PTN	15	113	90	15	11	25.5	12	60	33.3	31	12.7	UC202	M10	FL204	0.48
893610	UCFL203-PTN	17	113	90	15	11	25.5	12	60	33.3	31	12.7	UC203	M10	FL204	0.48
893611	UCFL204-PTN	20	113	90	15	11	25.5	12	60	33.3	31	12.7	UC204	M10	FL204	0.48
893612	UCFL205-PTN	25	130	99	16	13	27	16	68	35.7	34.1	14.3	UC205	M14	FL205	0.65
893613	UCFL206-PTN	30	148	117	18	13	31	16	80	40.2	38.1	15.9	UC206	M14	FL206	0.94
893614	UCFL207-PTN	35	161	130	19	15	34	16	90	44.4	42.9	17.5	UC207	M14	FL207	1.20
893615	UCFL208-PTN	40	175	144	21	15	36	16	100	51.2	49.2	19	UC208	M14	FL208	1.60
893616	UCFL209-PTN	45	188	148	22	16	38	19	108	52.2	49.2	19	UC209	M16	FL209	2.00
893617	UCFL210-PTN	50	197	157	22	16	40	19	115	54.6	51.6	19	UC210	M16	FL210	2.30
893618	UCFL211-PTN	55	224	184	25	18	43	19	130	58.4	55.6	22.2	UC211	M16	FL211	3.30
893619	UCFL212-PTN	60	250	202	29	18	48	23	140	68.7	65.1	25.4	UC212	M20	FL212	4.30
893620	UCFL213-PTN	65	258	210	30	22	50	23	155	69.7	65.1	25.4	UC213	M20	FL213	5.00
893621	UCFL214-PTN	70	265	216	31	22	54	23	160	75.4	74.6	30.2	UC214	M20	FL214	5.60
893622	UCFL215-PTN	75	275	225	34	22	56	23	165	78.5	77.8	33.3	UC215	M20	FL215	6.20
893623	UCFL216-PTN	80	290	233	34	22	58	25	180	83.3	82.6	33.3	UC216	M22	FL216	8.00

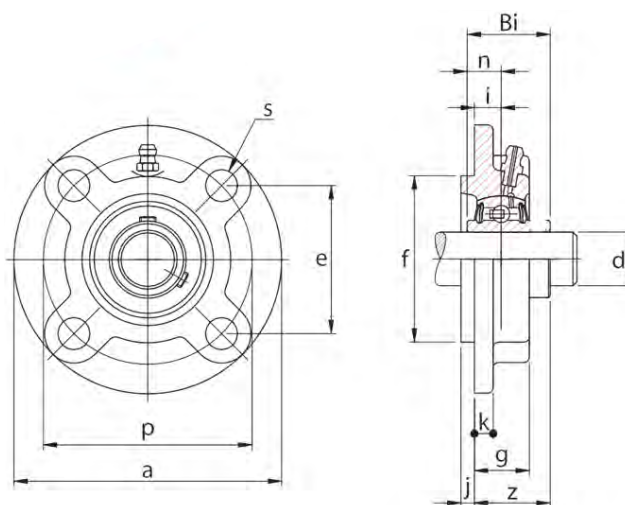


## UCT 200



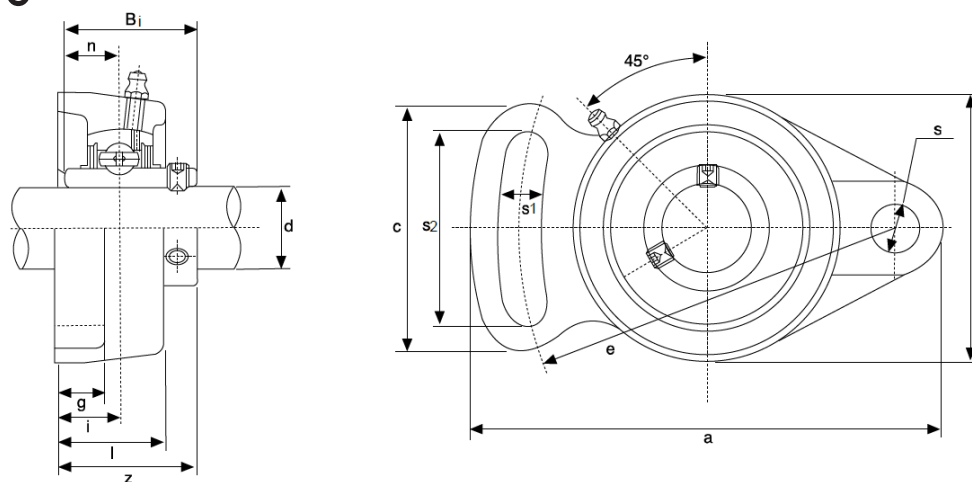
R.E Code (Rubix Engineering Code)	Generic Code	Shaft Diameter [mm]	Dimensions [mm]														Bearing No.	Housing No.	Weight [kg]	
		d	o	g	p	q	s	b	k	e	a	w	l	j	h	Bi				n
893687	UCT204-PTN	20	16	10	51	32	19	51	12.2	76	89	94	21	32	61	31	12.7	UC204	T204	0.78
893688	UCT205-PTN	25	16	10	51	32	19	51	12.2	76	89	97	25	32	62	34.1	14.3	UC205	T205	0.84
893689	UCT206-PTN	30	16	10	56	37	22	57	12.2	89	102	113	27	37	70	38.1	15.9	UC206	T206	1.30
893690	UCT207-PTN	35	16	13	64	37	22	64	12.2	89	102	129	28	37	78	42.9	17.5	UC207	T207	1.60
893691	UCT208-PTN	40	19	16	83	49	29	83	16	102	114	144	32	49	88	49.2	19	UC208	T208	2.50
893692	UCT209-PTN	45	19	16	83	49	29	83	16	102	117	145	35	49	87	49.2	19	UC209	T209	2.50
893693	UCT210-PTN	50	19	16	83	49	29	86	16	102	117	151	37	49	90	51.6	19	UC210	T210	2.60
893694	UCT211-PTN	55	25	19	102	64	35	95	22	130	146	171	38	64	106	55.6	22.2	UC211	T211	4.00
893695	UCT212-PTN	60	32	19	102	64	35	102	22	130	146	194	40	64	119	65.1	25.4	UC212	T212	4.80
893696	UCT213-PTN	65	32	21	111	70	41	121	26	151	167	224	41	70	137	65.1	25.4	UC213	T213	6.90
893697	UCT214-PTN	70	32	21	111	70	41	121	26	151	167	224	42	70	137	74.6	30.2	UC214	T214	7.00
893698	UCT215-PTN	75	32	21	111	70	41	121	26	151	167	232	45	70	140	77.8	33.3	UC215	T215	7.20
893699	UCT216-PTN	80	32	21	111	70	41	121	26	165	184	235	50	70	140	82.6	33.3	UC216	T216	8.20
893700	UCT218-PTN	90	40	30	130	80	48	140	30	190	215	275	56	80	170	96	39.7	UC218	T218	12.75

## UCFC 200



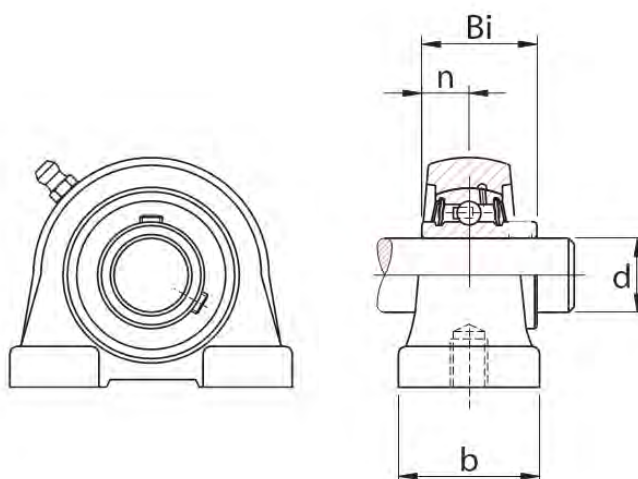
R.E Code (Rubix Engineering Code)	Generic Code	Shaft Diameter [mm]	Dimensions [mm]												Bearing No.	Bolt Size	Housing No.	Weight [kg]
			d	a	p	e	i	s	j	k	g	f	z	Bi				
893594	UCFC204-PTN	20	100	78	55.1	10	12	5	7	20.5	62	28.3	31	12.7	UC204	M10	FC204	0.76
893595	UCFC205-PTN	25	115	90	63.6	10	12	6	7	21	70	29.7	34.1	14.3	UC205	M10	FC205	0.96
893596	UCFC206-PTN	30	125	100	70.7	10	12	8	8	23	80	32.2	38.1	15.9	UC206	M10	FC206	1.30
893597	UCFC207-PTN	35	135	110	77.8	11	14	8	9	26	90	36.4	42.9	17.5	UC207	M12	FC207	1.70
893598	UCFC208-PTN	40	145	120	84.8	11	14	10	9	26	100	41.2	49.2	19	UC208	M12	FC208	2.00
893599	UCFC209-PTN	45	160	132	93.3	10	16	12	14	26	105	40.2	49.2	19	UC209	M14	FC209	2.70
893600	UCFC210-PTN	50	165	138	97.6	10	16	12	14	28	110	42.6	51.6	19	UC210	M14	FC210	2.90
893601	UCFC211-PTN	55	185	150	106.1	13	19	12	15	31	125	46.4	55.6	22.2	UC211	M16	FC211	4.30
893602	UCFC212-PTN	60	195	160	113.1	17	19	12	15	36	135	56.7	65.1	25.4	UC212	M16	FC212	5.00
893603	UCFC213-PTN	65	205	170	120.2	16	19	14	15	36	145	55.7	65.1	25.4	UC213	M16	FC213	5.70
893604	UCFC214-PTN	70	215	177	125.1	17	19	14	18	40	150	61.4	74.6	30.2	UC214	M16	FC214	6.80
893605	UCFC215-PTN	75	220	184	130.1	18	19	16	18	40	160	62.5	77.8	33.3	UC215	M16	FC215	7.20
893606	UCFC216-PTN	80	240	200	141.4	18	23	16	18	42	170	67.3	82.6	33.3	UC216	M20	FC216	8.70
893607	UCFC218-PTN	90	265	220	155.5	22	23	18	20	50	190	78.3	96	39.7	UC218	M20	FC218	13.50

## UCFA 200



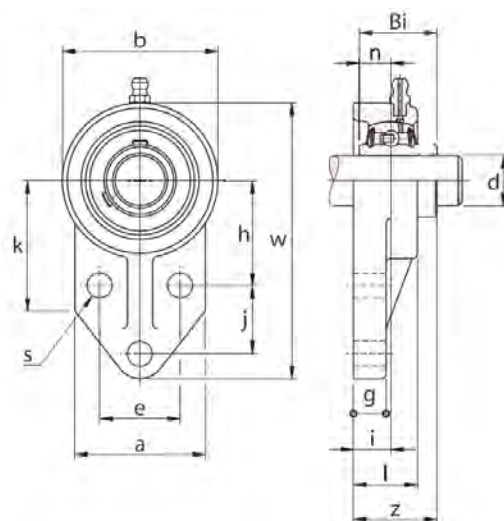
R.E Code (Rubix Engineering Code)	Generic Code	Shaft Diameter [mm]	Dimensions [mm]													Bearing No.	Bolt Size	Housing No.	Weight [kg]
			d	a	e	i	g	l	s	s1	s2	b	c	z	Bi				
893576	UCFA203-PTN	17	98	78	15	12	25.5	10	10	40	60	54	33.3	31	12.7	UC203	M8	FA204	0.48
893577	UCFA204-PTN	20	98	78	15	12	25.5	10	10	40	60	54	33.3	31	12.7	UC204	M8	FA204	0.48
893578	UCFA205-PTN	25	125	98	16	14	27	12	13	51	68	65	35.8	34.1	14.3	UC205	M10	FA205	0.68
893579	UCFA206-PTN	30	144	117	18	14	31	12	13	58	80	72	40.2	38.1	15.9	UC206	M10	FA206	0.90
893580	UCFA207-PTN	35	161	130	19	16	34	15	15	66	90	82	44.4	42.9	17.5	UC207	M12	FA207	1.47
893581	UCFA208-PTN	40	175	144	21	16	36	15	15	71	100	87	51.2	49.2	19	UC208	M12	FA208	1.80
893582	UCFA209-PTN	45	181	148	22	18	38	15	15	72	108	90	52.2	49.2	19	UC209	M14	FA209	2.08
893583	UCFA210-PTN	50	190	157	22	18	40	15	17	76	115	94	54.6	51.6	19	UC210	M14	FA210	2.27

## UCPA 200



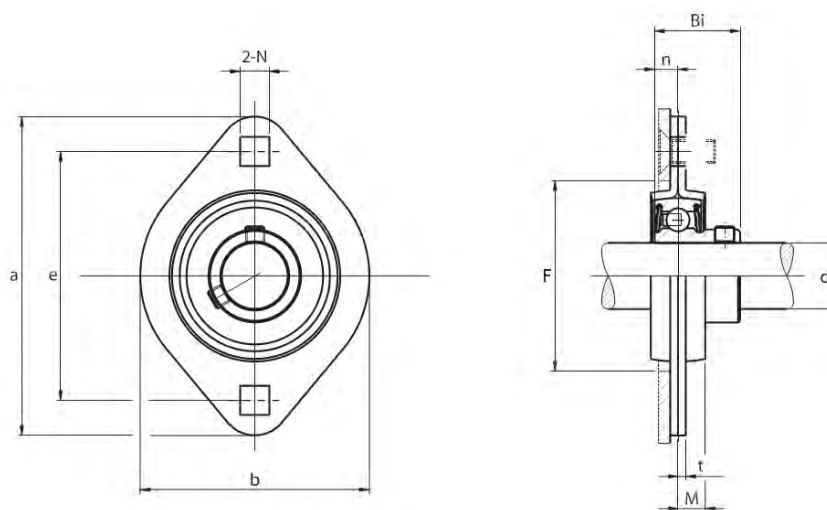
R.E Code (Rubix Engineering Code)	Generic Code	Shaft Diameter [mm]	Dimensions [mm]										Bearing No.	Housing No.	Weight [kg]
			d	h	a	e	b	t	g	w	Bi	n			
893667	UCPA201-PTN	12	30.2	76	52	38	M10x1.5	11	62	31	12.7	13	UC201	PA204	0.64
893668	UCPA202-PTN	15	30.2	76	52	38	M10x1.5	11	62	31	12.7	13	UC202	PA204	0.64
893669	UCPA203-PTN	17	30.2	76	52	38	M10x1.5	11	62	31	12.7	13	UC203	PA204	0.64
893670	UCPA204-PTN	20	30.2	76	52	38	M10x1.5	11	62	31	12.7	13	UC204	PA204	0.64
893671	UCPA205-PTN	25	36.5	84	56	38	M10x1.5	12	72	34.1	14.3	15	UC205	PA205	0.83
893672	UCPA206-PTN	30	42.9	94	66	48	M14x2	12	84	38.1	15.9	18	UC206	PA206	1.20
893673	UCPA207-PTN	35	47.6	110	80	48	M14x2	13	95	42.9	17.5	20	UC207	PA207	1.70
893674	UCPA208-PTN	40	49.2	116	84	56	M14x2	13	100	49.2	19	20	UC208	PA208	2.00
893675	UCPA209-PTN	45	54.2	120	90	60	M14x2	13	108	49.2	19	25	UC209	PA209	2.20
893676	UCPA210-PTN	50	63.5	130	94	65	M16x2	14	116	51.6	19	25	UC210	PA210	2.80
893677	UCPA211-PTN	55	69.9	140	104	67	M16x2	15	125	55.6	22.2	25	UC211	PA211	3.13
893678	UCPA212-PTN	60	76.2	150	114	68	M16x2	15	138	65.1	25.4	25	UC212	PA212	4.13

## UCFB 200



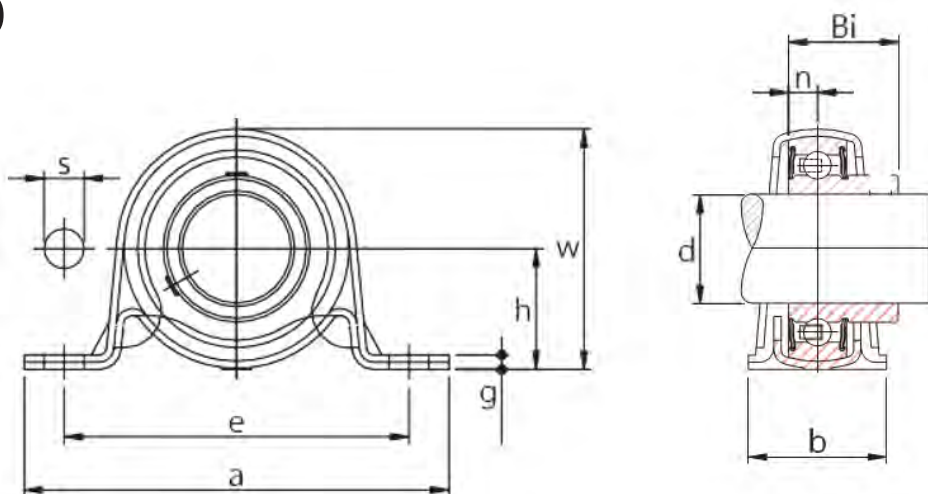
R.E Code (Rubix Engineering Code)	Generic Code	Shaft Diameter [mm]	Dimensions [mm]														Bearing No.	Bolt Size	Housing No.	Weight [kg]
			d	w	b	k	a	l	s	g	h	j	e	i	z	Bi				
893584	UCFB202-PTN	15	110	62	52	52	25.5	10	13	42	27	32	15	33.3	31	12.7	UC202	M8	FB204	0.64
893585	UCFB203-PTN	17	110	62	52	52	25.5	10	13	42	27	32	15	33.3	31	12.7	UC203	M8	FB204	0.64
893586	UCFB204-PTN	20	110	62	52	52	25.5	10	13	42	27	32	15	33.3	31	12.7	UC204	M8	FB204	0.64
893587	UCFB205-PTN	25	116	68	52	56	27	10	13	45	27	34	16	35.7	34	14.3	UC205	M8	FB205	0.68
893588	UCFB206-PTN	30	130	78	55	65	31	10	13	50	29	40	18	40.2	38.1	15.9	UC206	M8	FB206	0.92
893589	UCFB207-PTN	35	144	90	62	70	34	10	15	55	32	46	19	44.4	42.9	17.5	UC207	M8	FB207	1.30
893590	UCFB208-PTN	40	164	100	72	78	36	12	16	60	41	50	21	51.2	49.2	19	UC208	M10	FB208	1.40
893591	UCFB209-PTN	45	174	106	76	80	38	12	18	65	43	54	22	52.2	49.2	19	UC209	M10	FB209	2.20
893592	UCFB210-PTN	50	184	112	82	86	40	12	18	68	46	58	22	54.6	51.6	19	UC210	M10	FB210	2.30
893593	UCFB212-PTN	60	223	140	90	94	48	14	18	84	55	66	29	68.7	65.1	25.4	UC212	M10	FB212	3.80

## SBPFL 200



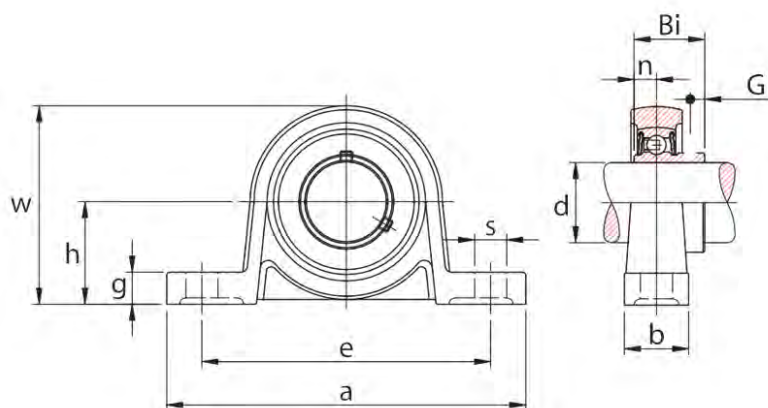
R.E Code (Rubix Engineering Code)	Generic Code	Shaft Diameter [mm]	Dimensions [mm]									Bearing No.	Bolt Size	Housing No.	Weight [kg]
		d	a	e	t	N	M	b	Bi	n	F				
893509	SBPFL201-PTN	12	81	63.5	2	7	7	59	22	6	49	SB201	M6	PFL203	0.19
893510	SBPFL202-PTN	15	81	63.5	2	7	7	59	22	6	49	SB202	M6	PFL203	0.19
893511	SBPFL203-PTN	17	81	63.5	2	7	7	59	22	6	49	SB203	M6	PFL203	0.19
893512	SBPFL204-PTN	20	90	71.5	2	9	8	67	25	7	56	SB204	M8	PFL204	0.24
893513	SBPFL205-PTN	25	95	76	2	9	9	71	27	7.5	60	SB205	M8	PFL205	0.28
893514	SBPFL206-PTN	30	113	90.5	2.6	11	9	84	30	8	71	SB206	M10	PFL206	0.38
893515	SBPFL207-PTN	35	122	100	2.6	11	10	94	32	8.5	81	SB207	M10	PFL207	0.66
893516	SBPFL208-PTN	40	148	119	3.4	13.5	11.5	106	34	9	91	SB208	M12	PFL208	0.90

## SBPP 200



R.E Code (Rubix Engineering Code)	Generic Code	Shaft Diameter [mm]	Dimensions [mm]									Bearing No.	Bolt Size	Housing No.	Weight [kg]
			d	h	a	e	b	S	g	w	Bi				
893632	SBPP201-PTN	12	22.2	86	68	25	9.5	3.2	43.8	22	6	SB201	M8	PP203	0.16
893633	SBPP202-PTN	15	22.2	86	68	25	9.5	3.2	43.8	22	6	SB202	M8	PP203	0.16
893634	SBPP203-PTN	17	22.2	86	68	25	9.5	3.2	43.8	22	6	SB203	M8	PP203	0.16
893635	SBPP204-PTN	20	25.4	98	76	32	9.5	3.2	50.5	25	7	SB204	M8	PP204	0.23
893636	SBPP205-PTN	25	28.6	108	86	32	11.5	4	56.6	27	7.5	SB205	M10	PP205	0.28
893637	SBPP206-PTN	30	33.3	117	95	38	11.5	4	66.3	30	8	SB206	M10	PP206	0.47
893638	SBPP207-PTN	35	39.7	129	106	42	11.5	4.6	78	32	8.5	SB207	M10	PP207	0.67

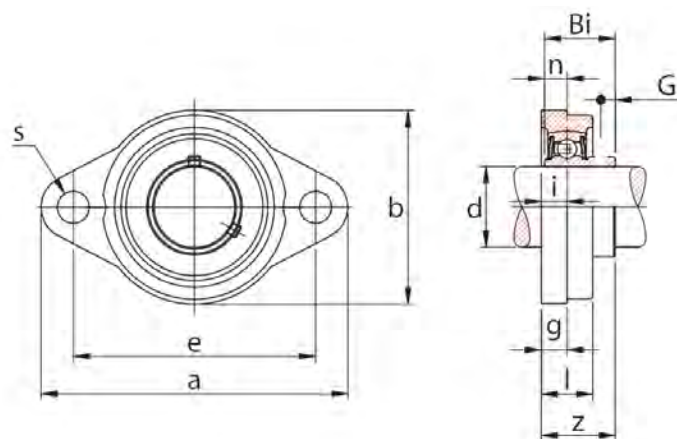
## UP000



R.E Code (Rubix Engineering Code)	Generic Code	Shaft Diameter [mm]	Dimensions [mm]											Bearing No.	Bolt Size	Weight [kg]
			d	h	a	e	b	s	g	w	Bi	n	G			
893679	UP000-PTN	10	18	67	53	16	7	6	35	14	4	3	29	U000	M6	0.08
893680	UP001-PTN	12	19	71	56	16	7	6	38	14.5	4	3	29	U001	M6	0.10
893681	UP002-PTN	15	22	80	63	16	7	7	43	16.5	4.5	3.5	31	U002	M6	0.14
893682	UP003-PTN	17	24	85	67	18	7	7	47	17.5	5	3.5	33	U003	M6	0.17
893683	UP004-PTN	20	28	100	80	20	10	9	55	21	6	4	38	U004	M8	0.26
893684	UP005-PTN	25	32	112	90	20	10	10	62	22.5	6	4.5	40	U005	M8	0.33
893685	UP006-PTN	30	36	132	106	26	13	11	70	24.5	6.5	5.5	44	U006	M10	0.50

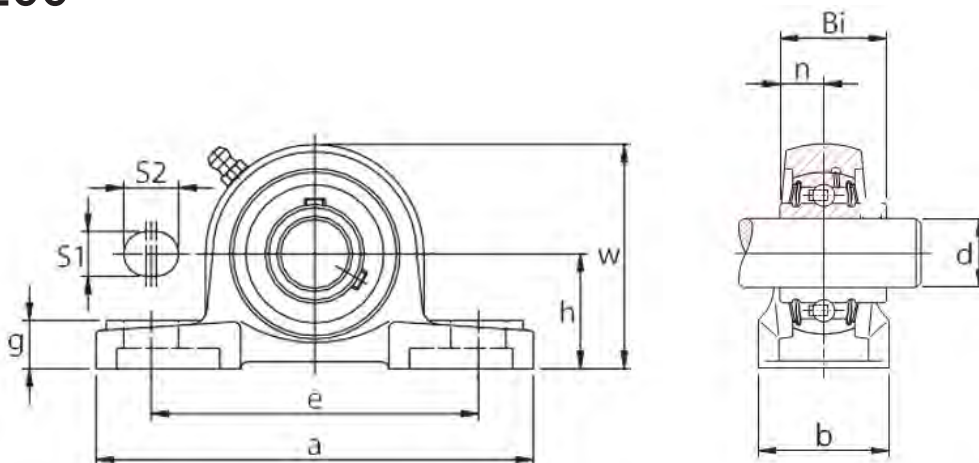


## UFL000



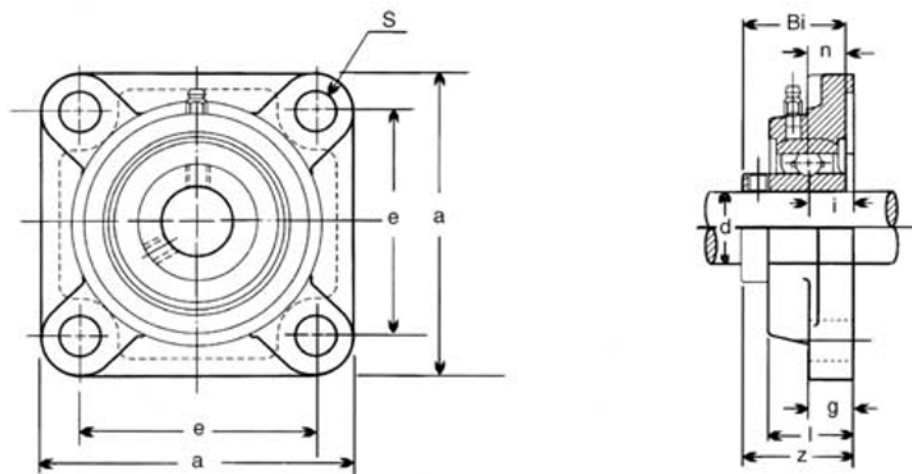
R.E Code (Rubix Engineering Code)	Generic Code	Shaft Diameter [mm]	Dimensions [mm]												Bearing No.	Bolt Size	Weight [kg]
			d	a	e	i	g	l	s	b	z	Bi	n	G			
893624	UFL000-PTN	10	60	45	5.5	5.5	12	7	36	16	14	4	3	20.5	U001	M6	0.07
893625	UFL001-PTN	12	63	48	5.5	5.5	12	7	38	16	14.5	4	3	20.5	U002	M6	0.08
893626	UFL002-PTN	15	67	53	6.5	6.5	13	7	42	17.5	16.5	4.5	3.5	22	U003	M6	0.11
893627	UFL003-PTN	17	71	56	7	7	14	7	46	18.5	17.5	5	3.5	23.5	U004	M6	0.14
893628	UFL004-PTN	20	90	71	8	8	16	10	55	22	21	6	4	27	U005	M8	0.23
893629	UFL005-PTN	25	95	75	8	8	16	10	60	23	22.5	6	4.5	28	U006	M8	0.27
893630	UFL006-PTN	30	112	85	9	9	18	13	70	26	24.5	6.5	5.5	31	U007	M10	0.39

## SSUCP 200



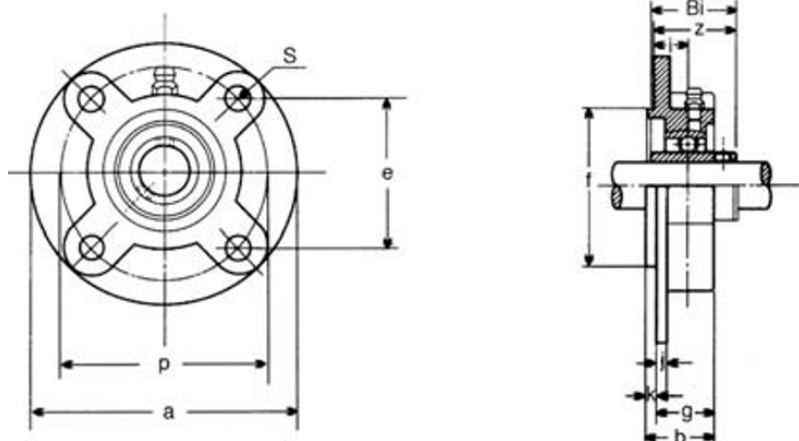
R.E Code (Rubix Engineering Code)	Generic Code	Shaft Diameter [mm]	Dimensions [mm]										Bearing No.	Bolt Size	Housing No.	Weight [kg]
			d	h	a	e	b	S1	S2	g	w	Bi				
893639	SSUCP204-PTN	20	33.3	126	95	38	13	19	14	63	31	12.7	SSUC 204	M10	SSP204	0.70
893640	SSUCP205-PTN	25	36.5	139	105	38	13	19	15	69	34.1	14.3	SSUC 205	M10	SSP205	0.81
893641	SSUCP206-PTN	30	42.9	166	121	48	17	21	18	82	38.1	15.9	SSUC 206	M14	SSP206	1.30
893642	SSUCP207-PTN	35	47.6	170	127	49	17	21	18	91	42.9	17.5	SSUC 207	M14	SSP207	1.60
893643	SSUCP208-PTN	40	49.2	183	137	55	17	23	18	97	49.2	19	SSUC 208	M14	SSP208	2.00
893644	SSUCP209-PTN	45	54	191	146	55	17	23	20	105	49.2	19	SSUC 209	M14	SSP209	2.30
893645	SSUCP210-PTN	50	57.2	208	159	60	20	25	21	112	51.6	19	SSUC 210	M16	SSP210	2.90
893646	SSUCP211-PTN	55	63.5	218	171	60	20	25	23	122	55.6	22.2	SSUC 211	M16	SSP211	3.80
893647	SSUCP212-PTN	60	69.8	242	184	71	20	25	26	135	65.1	25.4	SSUC 212	M16	SSP212	5.40

## SSUCF 200



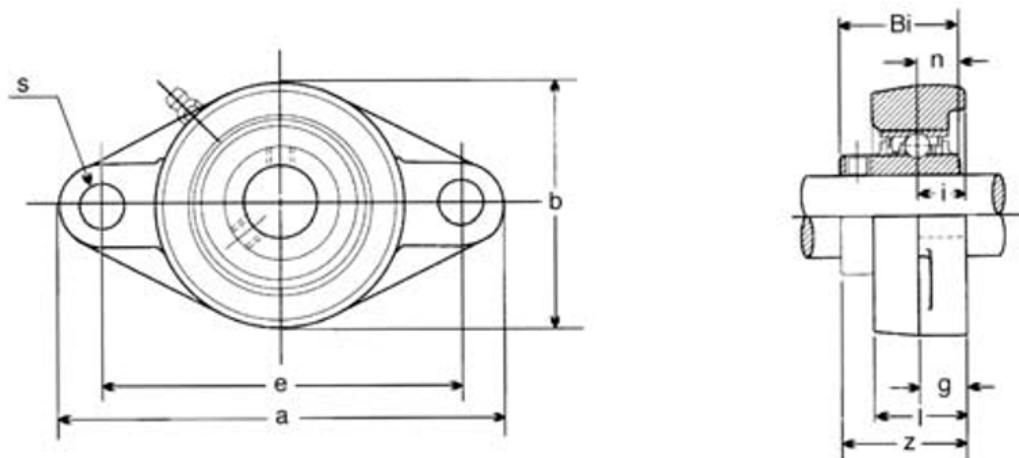
R.E Code (Rubix Engineering Code)	Generic Code	Shaft Diameter [mm]	Dimensions [mm]									Bearing No.	Bolt Size	Housing No.	Weight [kg]
			d	a	e	i	g	l	s	z	Bi				
893517	SSUCF204-PTN	20	86	64	15	14	25.50	12.00	33.30	31.00	12.70	SSUC 204	M10	SSF204	0.61
893518	SSUCF205-PTN	25	95	70	16	15	27.00	12.00	35.80	34.10	14.30	SSUC 205	M10	SSF205	0.80
893519	SSUCF206-PTN	30	107	83	18	15	30.00	12.00	40.20	38.10	15.90	SSUC 206	M10	SSF206	1.00
893520	SSUCF207-PTN	35	116	92	19	15	31.00	14.00	44.40	42.90	17.50	SSUC 207	M12	SSF207	1.40
893521	SSUCF208-PTN	40	129	102	21	15	35.00	16.00	51.20	49.20	19.00	SSUC 208	M14	SSF208	1.80
893522	SSUCF209-PTN	45	137	105	22	18	38.00	16.00	52.20	49.20	19.00	SSUC 209	M14	SSF209	2.20
893523	SSUCF210-PTN	50	143	111	22	18	40.00	16.00	54.60	51.60	19.00	SSUC 210	M14	SSF210	2.40
893524	SSUCF211-PTN	55	162	130	25	18	41.00	19.00	58.40	55.60	22.20	SSUC 211	M16	SSF211	2.90
893525	SSUCF212-PTN	60	174	143	29	21	47.00	19.00	68.70	65.10	25.40	SSUC 212	M16	SSF212	3.65
893526	SSUCF213-PTN	65	186	149	30	23	50.00	19.00	69.70	65.10	30.20	SSUC 213	M16	SSF213	4.75
893527	SSUCF214-PTN	70	193	152	31	24	53.00	19.00	75.40	74.60	33.30	SSUC 214	M16	SSF214	5.31

## SSUCFC 200



R.E Code (Rubix Engineering Code)	Generic Code	Shaft Diameter [mm]	Dimensions [mm]												Bearing No.	Bolt Size	Housing No.	Weight [kg]
			d	a	p	e	i	s	k	j	g	f	z	Bi				
893528	SSUCFC204-PTN	20	100	78	55.1	10	12	5	6	20.5	62	28.3	31	12.7	SSUC 204	M10	SSFC204	0.76
893529	SSUCFC205-PTN	25	115	90	63.6	10	12	6	6	21	70	29.7	34.1	14.3	SSUC 205	M10	SSFC205	0.96
893530	SSUCFC206-PTN	30	124	100	70.7	10	12	8	7	23	80	32.2	38.1	15.9	SSUC 206	M10	SSFC206	1.30
893531	SSUCFC207-PTN	35	135	110	77.8	11	14	8	9	26	90	36.4	42.9	17.5	SSUC 207	M12	SSFC207	1.70
893532	SSUCFC208-PTN	40	145	120	84.8	11	14	10	9	26	100	41.2	49.2	19	SSUC 208	M12	SSFC208	2.00
893533	SSUCFC209-PTN	45	159	132	93.3	10	16	12	13	26	105	40.2	49.2	19	SSUC 209	M14	SSFC209	2.70
893534	SSUCFC210-PTN	50	164	138	97.6	10	16	12	13	28	110	42.6	51.6	19	SSUC 210	M14	SSFC210	3.80

## SSUCFL 200



R.E Code (Rubix Engineering Code)	Generic Code	Shaft Diameter [mm]	Dimensions [mm]										Bearing No.	Bolt Size	Housing No.	Weight [kg]
			d	a	e	i	g	l	s	b	z	Bi				
893535	SSUCFL202-PTN	15	109	90	15	12	26	12	61	33.3	31	12.7	SSUC 202	M10	SSFL204	0.42
893536	SSUCFL203-PTN	17	109	90	15	12	26	12	61	33.3	31	12.7	SSUC 203	M10	SSFL204	0.42
893537	SSUCFL204-PTN	20	109	90	15	12	26	12	61	33.3	31	12.7	SSUC 204	M10	SSFL204	0.42
893538	SSUCFL205-PTN	25	125	99	16	12	27	16	67	35.7	34.1	14.3	SSUC 205	M14	SSFL205	0.65
893539	SSUCFL206-PTN	30	143	117	18	13	31	16	75	40.2	38.1	15.9	SSUC 206	M14	SSFL206	0.94
893540	SSUCFL207-PTN	35	163	130	19	15	34	16	89	44.4	42.9	17.5	SSUC 207	M14	SSFL207	1.20
893541	SSUCFL208-PTN	40	175	144	21	16	37	16	98	51.2	49.2	19	SSUC 208	M14	SSFL208	1.60
893542	SSUCFL209-PTN	45	185	148	22	17	39	19	104	52.2	49.2	19	SSUC 209	M16	SSFL209	2.00
893543	SSUCFL210-PTN	50	190	157	22	17	41	19	106	54.6	51.6	19	SSUC 210	M16	SSFL210	2.30

## Mounting:

The recommended method for mounting pillow blocks is as follows:

- 1) Ensure there is no interference of locking screws on shaft when mounting the pillow block.
- 2) Slide the pillow block (Figure 3) onto shaft taking care not to damage inner ring. The use of hammers is not recommended.
- 3) With the use of allen key or torque wrench, tighten the locking screw to the settings in the table below.
- 4) Bolt down unit to base or face of machine accordingly. (Steps 3 and 4 may be reversed depending on application.)

For housing systems with multi locking screws, it is advisable to uniformly tighten accordingly. The construction of the locking screw with the ball inserted as shown in Figure 1.

The ball of the screw prevents loosening of the screw itself, especially in application experiencing vibration and shock loads.

If the mounting clearance between the shaft and inner ring is small, before tightening the screws, it is recommended to make a plane with the file at the contact point. See Figure 2.

A depth of 0.2 to 0.5mm is sufficient. This operation makes disassembly a smooth operation.

Figure 1

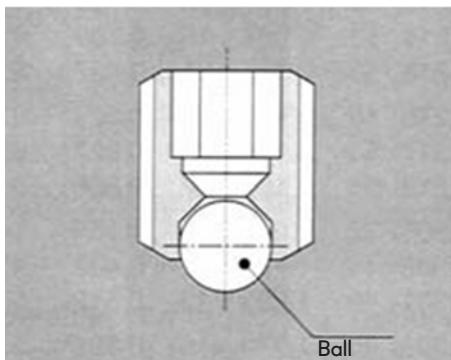


Figure 2

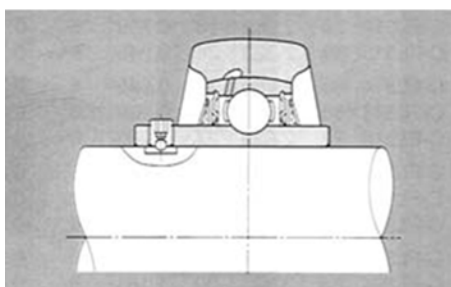
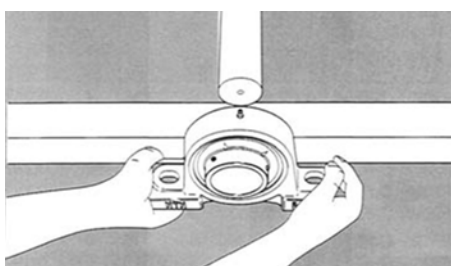


Figure 3



Bearing Designations of Applicable Units			Designation of the Screws Locking	Tightening Torque N m (max.)
UC201 to UC205	-	-	M 5 x 0.8	3.9
UC206	-	UC305 to UC306	M 6 x 0.75	4.9
UC207	UCX05	-	M 6 x 0.75	5.8
UC208 to UC 210	-	-	M 8 x 1	7.8
UC211	UCX06 to UCX08	UC307	M 8 x 1	9.8
UC212	UCX09	-	M 10 x 1.25 x 12	16.6
UC213 to UC215	-	UC308 to UC309	M 10 x 1.25 x 12	19.6
UC216	UCX10	-	M 10 x 1.25 x 12	22.5
-	UCX11 to UCX12	-	M 10 x 1.25 x 12	24.5
UC217 to UC218	UCX13 to UCX15	UC310 to UC314	M 12 x 1.5	29.4
-	UCX16 to UCX17	-	M 12 x 1.5	34.3
-	UCX18	UC315 to UC316	M 14 x 1.5	34.3
-	UCX20	UC317 to UC319	M 16 x 1.5	53.9
-	-	UC320 to UC324	M 18 x 1.5	58.8
-	-	UC326 to UC328	M 20 x 1.5	78.4
SB201 to 205 SB206 SB207 SB208			M 5 x 0.8 x 7 M 6 x 0.75 x 8 M 6 x 0.75 x 8 M 8 x 1 x 10	3.4 4.4 4.9 6.8

# Lubrication and Storage

## Lubrication

Bearings must be properly lubricated to operate reliably. The lubricant has the role of reducing friction, protecting the bearing against corrosion and prevent wear.

Lubrication maintenance regimes should be set up depending on bearing use, application and environment. Therefore the bearings have to be relubricated when the grease life expires or becomes contaminated.

Rubix offers a universal multi-purpose bearing grease Spartex. This can be used for all deep groove ball bearings, but also pillow blocks.

Stainless steel bearings use FOOD SAFE GREASE - MOBIL GREASE FM 222 or equivalent. NSF registered as H1 classified lubricants (safety data sheet on request).



## Storage

- Bearings should be stored in original packaging in order to prevent contamination and corrosion.
- General ambient conditions should apply and humidity of the room should not exceed 60%.
- Storage area should be clean and dust free and away from direct sunlight.
- Operative should use gloves when handling products to prevent undue direct contact.



In stock and ready to be delivered!



#### Sales office:

##### Norway

RUBIX AS  
Nordre Brurås 18  
5131 Nyborg  
Tel: +47 55 39 10 00  
info.norway@rubix.com

##### Sweden

RUBIX AB  
Kastellgatan 5  
254 66 Helsingborg  
Tel: +46 42 38 07 00  
dt.sweden@rubix.com

##### Denmark

RUBIX A/S  
Rugaardsvej 5  
8680 Ry  
Tel: +45 76 40 87 00  
dk@rubix.com

##### Finland

RUBIX Oy  
Juhanilantie 4A 3.krs  
01740 VANTAA  
Tel: +358 9 342 4300  
fi@rubix.com

**RUBIX**